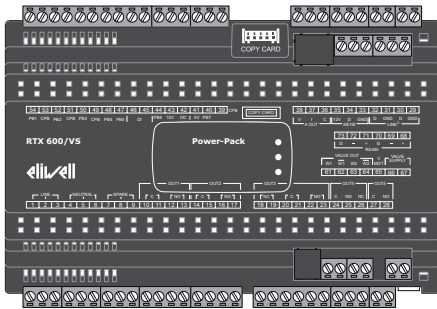


RTX 600 /VS DOMINO

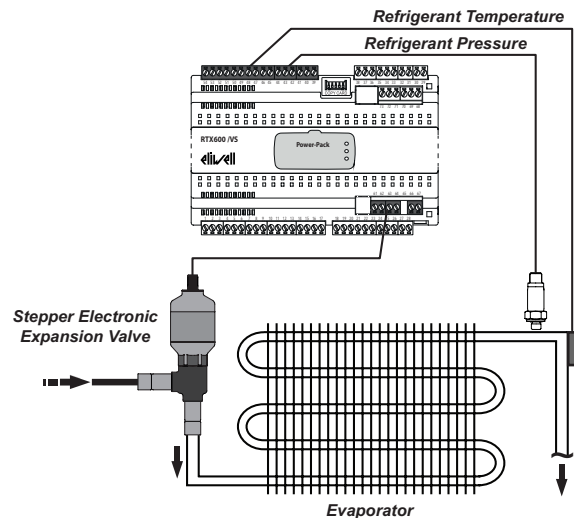
Device for remote refrigerated cabinets with stepper electronic expansion valve (EEV) management

eliwell

by Schneider Electric



- Integrated driver for EEV stepper
- Energy Saving algorithms
- Preloaded applications
- Single defrost / double evaporator
- Frame Heaters
- Local network auto-configuration



NOTE: for further information, description of the regulators and the full list of parameters, refer to the user manual available on the Eliwell website (www.eliwell.com).

ELECTRICAL CONNECTIONS

⚠ ⚠ DANGER

HAZARD OF ELECTRIC SHOCK, EXPLOSION OR ARC FLASH

- Disconnect all power from all devices including connected devices, prior to removing any covers or doors, or installing or removing any accessories, hardware, cables, or wires.
- Always use a properly rated voltage sensing device to confirm the power is off where and when indicated.
- Replace and secure all covers, accessories, hardware, cables and wires.
- Check the earthing connections on all earthed devices.
- Use this equipment and all connected products only at the specified voltage.
- Do not connect the device directly to the line voltage, except where indicated otherwise.

Failure to follow these instructions will result in death or serious injury.

This device has been designed to operate outside of any dangerous location. Only install this device in zones known to be free of hazardous atmosphere.

⚠ DANGER

RISK OF EXPLOSION AND FIRE

Do not use this device in applications where R290 flammable refrigerant is used.

Failure to follow these instructions will result in death or serious injury.

⚠ DANGER

RISK OF OVERHEATING AND FIRE

- Install and use this device in non-hazardous locations only.
- Do not use with loads other than those indicated in the technical specification.
- Do not exceed the maximum permitted current; for higher loads, use a contactor with sufficient power capacity.

Failure to follow these instructions will result in death or serious injury.

Electrical device should be installed, operated, serviced, and maintained only by qualified personnel. No responsibility is assumed by Eliwell for any consequences arising out of the use of this material.

⚠ WARNING

UNINTENDED EQUIPMENT OPERATION DUE TO CONNECTION

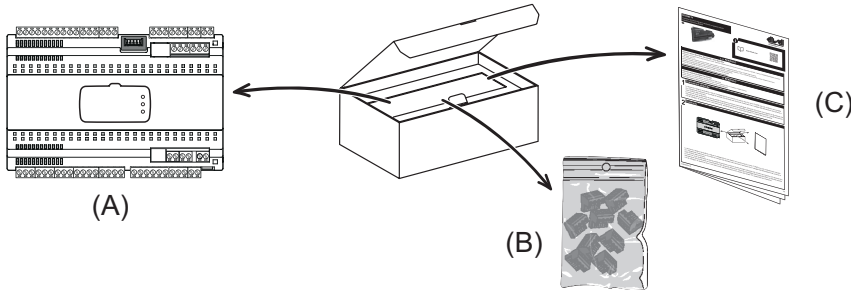
Signal leads (probes, digital inputs, communication and the signal electronic supply) must be routed separately from power and supply cables.

Failure to follow these instructions can result in death, serious injury, or equipment damage.

Temperature probes (NTC, PTC, Pt1000) have no connection polarity and can be extended using a normal bipolar cable. The extension of the probes burdens the behaviour of the device in terms of EMC electromagnetic compatibility: take care during wiring operations.

Ratiometric (0 ... 5 V) or **pressure** (4 ... 20 mA) **probes**, have a connection polarity.

CONTENTS OF PACK

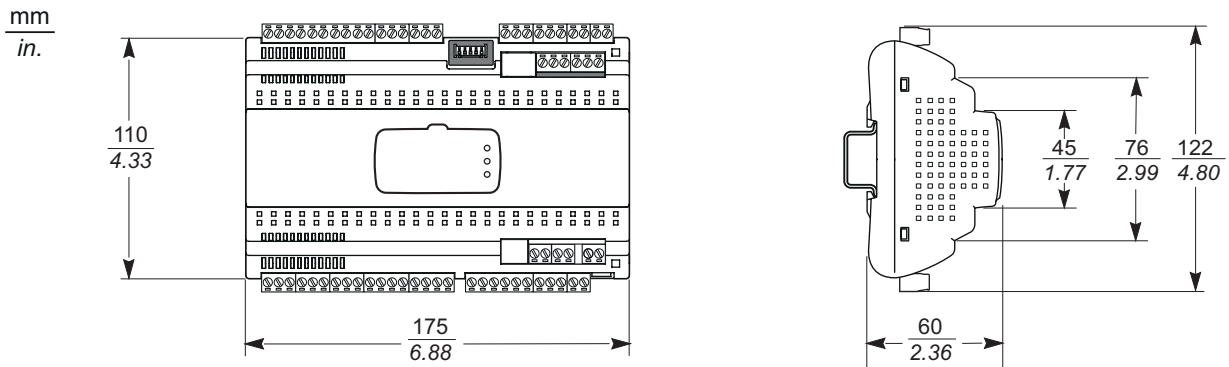


GENERAL INFORMATION:

The following can be found in the package:

- (A) RTX 600 /VS
- (B) Removable screw terminal KIT
- (C) Instruction sheet

DIMENSIONS



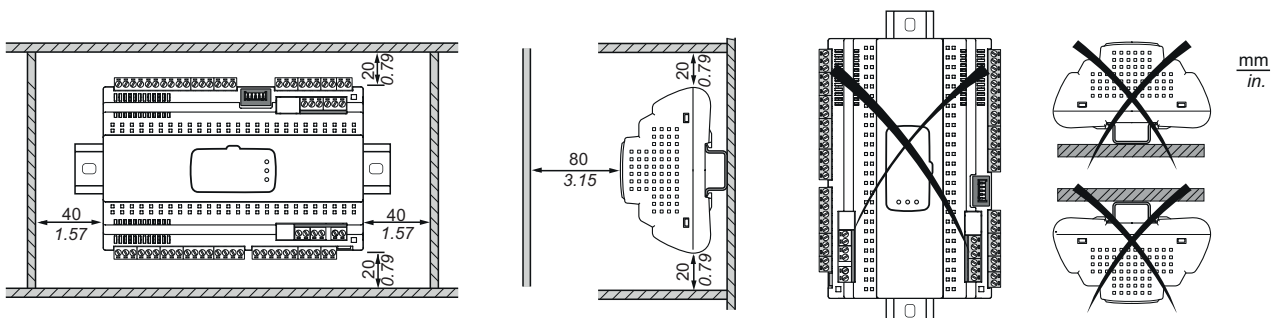
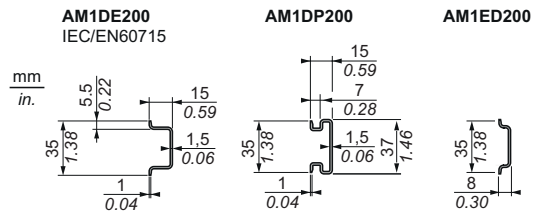
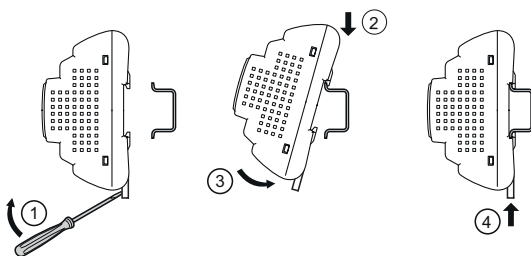
MECHANICAL INSTALLATION

⚠ WARNING

UNINTENDED EQUIPMENT OPERATION

- Place the devices dissipating the most heat in the top of the cabinet and ensure suitable ventilation.
- Do not place these devices near or above any devices which could cause overheating.
- Install the device in a point that guarantees the minimum distances from all structures and adjacent equipment as indicated in this document.
- Install all equipment in conformity with the technical specifications given in the respective documentation.

Failure to follow these instructions can result in death, serious injury, or equipment damage.



TECHNICAL SPECIFICATIONS (EN 60730-2-9)

Classification:	Operating (not safety) device for incorporation
Mounting:	DIN rail
Type of action:	1.B
Pollution class:	2
Insulating material class:	IIIa
Over-voltage category:	II
Nominal pulse voltage:	2500 V
Temperature:	Operation: -5.0...50.0 °C (23.0...122 °F) - Storage: -30.0...50.0 °C (-22.0...122 °F)
Power supply:	SMPS 100...240 Vac ($\pm 10\%$) 50/60 Hz
Power consumption:	12.5 W max
EEV auxiliary power:	24 Vac ($\pm 10\%$) 50/60 Hz (from external transformer, maximum absorption 35 VA)
Fire resistance category:	D
Software class:	A

FURTHER INFORMATION

Input Characteristics

Measurement range:	NTC: -50.0...110 °C (-58.0...230 °F) PTC: -55.0...150 °C (-67.0...302 °F) Pt1000: -60.0...150 °C (-76.0...302 °F) } (on display with 3 digits + sign)
Accuracy:	± 1.0 °C/°F for temperatures below -30.0 °C (-22.0 °F) ± 0.5 °C/°F for temperatures between -30.0...25.0 °C (-22.0...77.0 °F) ± 1.0 °C/°F for temperatures above 25 °C (77 °F)
Resolution:	1 or 0.1 °C/°F
Buzzer:	NO
Analogue/Digital Inputs:	5 configurable inputs NTC / PTC / Pt1000 / DI (Pb1-Pb2-Pb3-Pb4-Pb5) 1 configurable input 4...20 mA / DI (Pb6) 1 configurable ratiometric input / DI (Pb7) 1 non-powered multipurpose digital input (DI)

Output Characteristics

Digital Outputs:		
	OUTPUT	DESCRIPTION
	OUT1:	SPST relay
	OUT2:	SPST relay
	OUT3:	SPDT relay
	OUT4:	SPDT relay
	OUT5:	SPST relay
		EN 60730 (max 250 Vac)
		NO 16(5) A
		NO 16(5) A
		NO 16(5) A - NC 16 A resistive
		NO 8(4) A - NC 6(3) A
		NO 8(4) A

OC (Open Collector) Output:	1 multifunctional output: 12 Vdc - 20 mA
DAC output:	1 multifunctional output: 0...10 Vdc / 4...20 mA
EEV stepper driver output:	1 4-way connector for bipolar valve control (Maximum current 0.8 A per winding)

Mechanical Characteristics

Casing:	PC+ABS resin casing, UL94 V-0
Dimensions:	10 DIN rail
Terminals:	removable screw terminals for wires with max cross-section 2.5 mm ² (13 AWG)
Connectors:	1 TTL for UNICARD / Device Manager (via DMI) / Multi Function Key connection (maximum length 3 m / 9.84 ft.) 1 RS-485 opto-isolated serial for supervision 1 serial for connection to local Link ² network 1 serial for connection to keyboard (KDEPlus, KDWPlus, KDT) or ECPlus display NOTE: for connection use only BELDEN type "twisted" and shielded cable
Humidity:	Operation / Storage: 10...90 %RH (non-condensing)

Normative

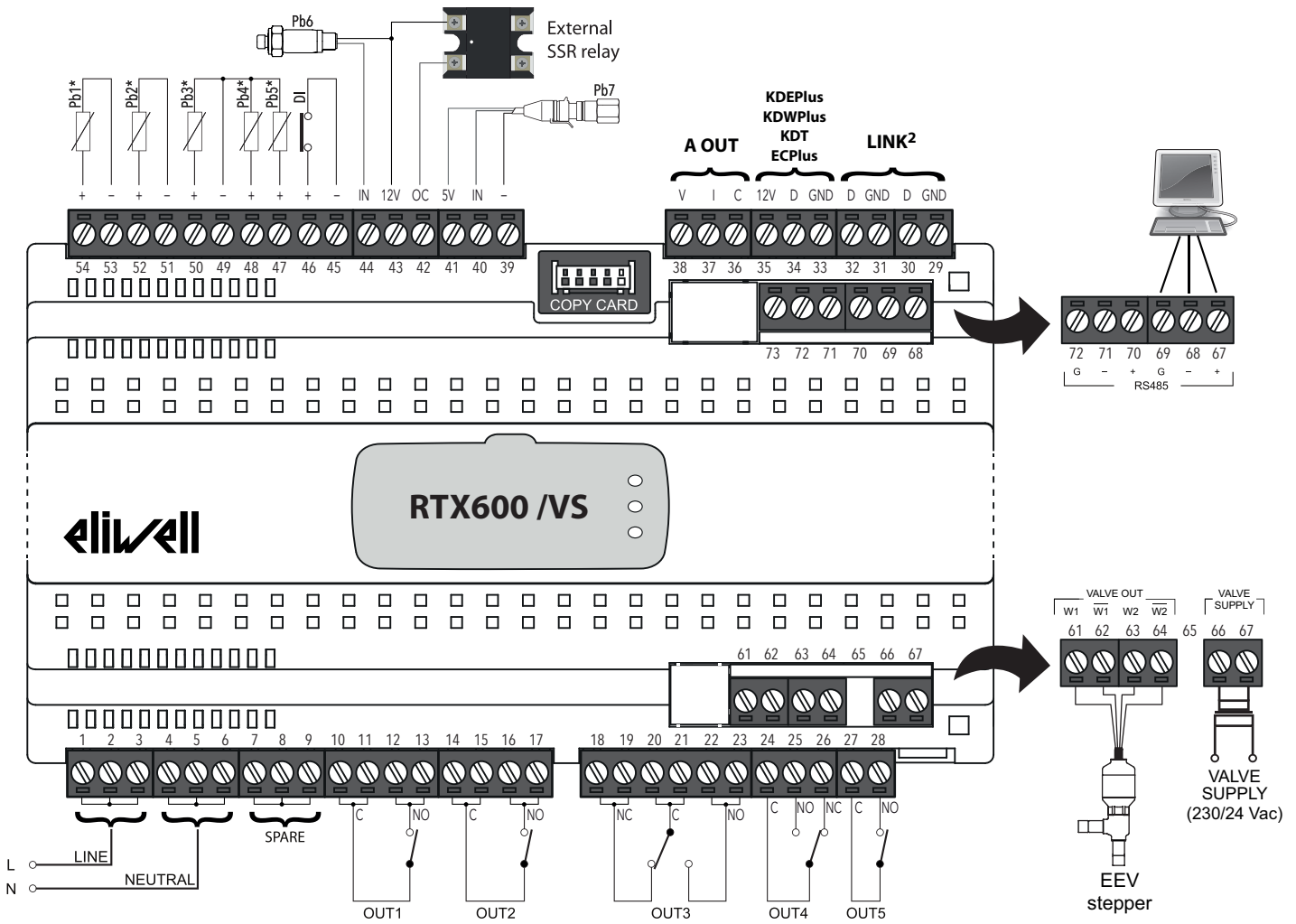
Food Safety:	The device complies with standard EN13485 as follows: <ul style="list-style-type: none">- suitable for storage- application: air- climate range: A- measurement class 1 in the -25...15 °C (-13...59 °F) (*) (*using Eliwell probes only)
--------------	--

Other

RTC duration:	the clock will remain on for 4 days with no external power supply
---------------	---

NOTE: The technical specifications relating to measurement (range, accuracy, resolution, etc.) refer to the device in the strict sense, not to any of the accessories supplied (for example probes).

CONNECTION DIAGRAM



* Pb1...Pb5 analogue inputs can also be configured as Digital Inputs (DI).

TERMINALS

1-2-3	(LINE) Power line	29-30	LINK ² . Connection 1 - local network
4-5-6	(NEUTRAL) Neutral power supply	31-32	LINK ² . Connection 2 - local network
7-8-9	(SPARE) Auxiliary terminals not connected internally	33-34-35	Connection with KDEPlus or KDWPlus or KDT or keyboard or ECPlus module
10-11	(C) OUT1 Common terminal	36-38	A OUT. Voltage analogue output (0...10 V)
12-13	(NO) Normally Open OUT1	36-37	A OUT. Analogue current output (4...20 mA)
14-15	(C) OUT2 Common terminal	Copy Card	TTL connection - UNICARD/DMI/Multi Function Key
16-17	(NO) Normally Open OUT2	39-40-41	Pb7 probe connection (ratiometric sensor)
18-19	(NC) Normally Closed OUT3	43-42	Open collector output (OC) For connection of an external SSR relay.
20-21	(C) OUT3 Common terminal	43-44	Pb6 probe connection (pressure sensor)
22-23	(NO) Normally Open OUT3	45-46	Digital input (DI)
24	(C) OUT4 Common terminal	49-47	Pb5 probe connection
25	(NO) Normally Open OUT4	49-48	Pb4 probe connection
26	(NC) Normally Closed OUT4	49-50	Pb3 probe connection
27	(C) OUT5 Common terminal	51-52	Pb2 probe connection
28	(NO) Normally Open OUT5	53-54	Pb1 probe connection
61-62	W1 terminals for connection to stepper valve first winder	68-69-70	RS485. Connection 1 - Supervision gateway
63-64	W2 terminals for connection to stepper valve second winder	71-72-73	RS485. Connection 2 - Supervision gateway
65	Not fitted		
66-67	EEV Stepper valve external power supply (24 Vac)		

⚠ ⚠ DANGER

LOOSE WIRING CAUSES ELECTRIC SHOCK

Tighten connections in conformance with the torque specifications.

Failure to follow these instructions will result in death or serious injury.

The table below displays the type and the size of cables for disconnectable terminals with pitch **5,00 mm** (0.197 in.) or **5,08 mm** (0.2 in.).

mm²	0.2...2.5	0.2...2.5	0.25...2.5	0.25...2.5	2 x 0.2...1	2 x 0.2...1.5	2 x 0.25...1	2 x 0.5...1.5
AWG	24...13	24...13	22...13	22...13	2 x 24...18	2 x 24...16	2 x 22...18	2 x 20...16

		N•m	0.5...0.6
Ø 3.5 mm (0.14 in.)		lb-in	4.42...5.31

DEFAULT APPLICATIONS

DESCRIPTION OF APPLICATIONS

AP1: cabinet - resistive defrosting.

AP2: cold room - resistive defrosting.

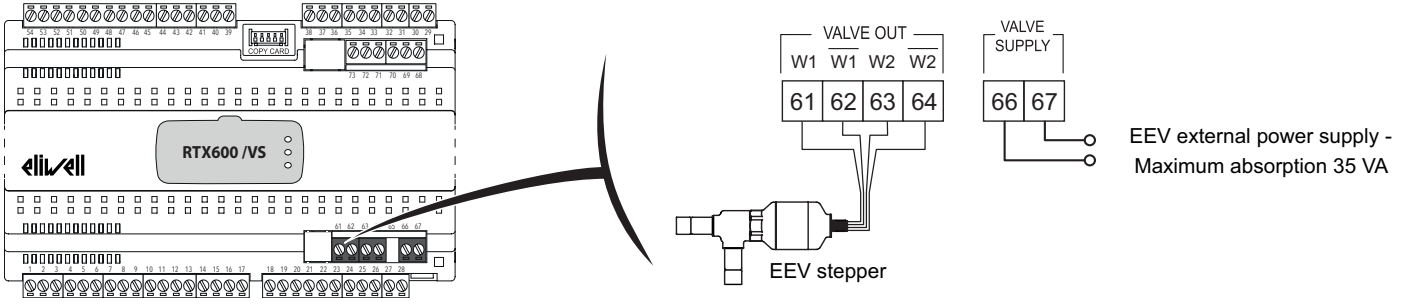
AP3 ... AP8: cabinet - resistive defrosting.

FUNCTION / APPLICATION		AP1	AP2	AP3 ... AP8
INPUTS				
Pb1	NTC	REG1 /	REG1 /	REG1 /
Pb2	NTC			
Pb3	NTC	/	/	/
Pb4	NTC	/	/	/
Pb5	NTC	EEV	EEV	EEV
DI	par. H18	/		/
Pb6	4...20 mA - par. H16	EEV	EEV	EEV
Pb7	Ratiometric	/	/	/
OUTPUTS				
OUT1	relay			
OUT2	relay			
OUT3	relay			
OUT4	relay			
OUT5	relay			
EEV	Output	EEV	EEV	EEV
A OUT	Output	/	/	/
OC	Output	/	/	/

ELECTRONIC EXPANSION VALVE (EEV)

The device is set to manage with a bipolar driver a “Stepper” valve.

The connection diagram is as follows:



Before connecting the valve, carefully configure the **RTX 600 /VS** by selecting the type of valve from the list of pilotable valves.

⚠ WARNING

FAULTY OPERATION OF EQUIPMENT DUE TO CONNECTIONS

Check the valve parameters declared by the manufacturer before using the valve in generic valve configuration.

Failure to follow these instructions can result in death, serious injury, or equipment damage.

Eliwell Controls Srl is not liable for the data provided by the valve manufacturer, including any technical modifications or updates. Consult the product manual and the valve manual to check the suitability and correct configuration.

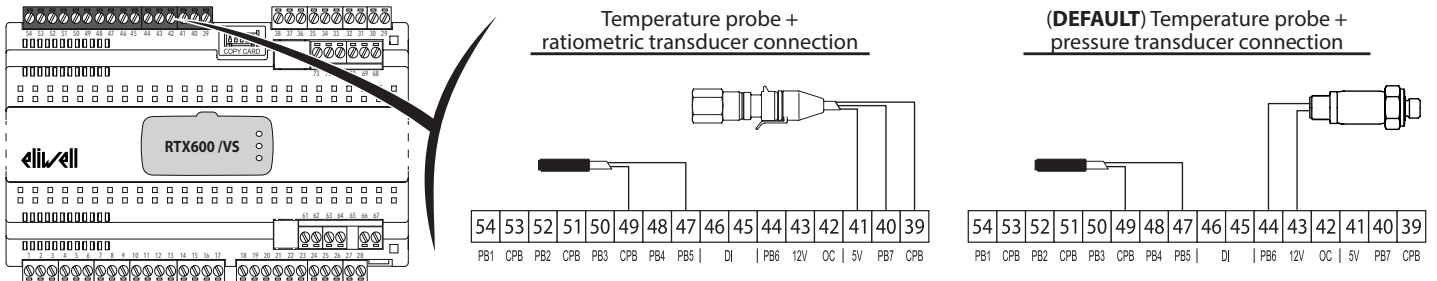
NOTICE

INOPERABLE DEVICE

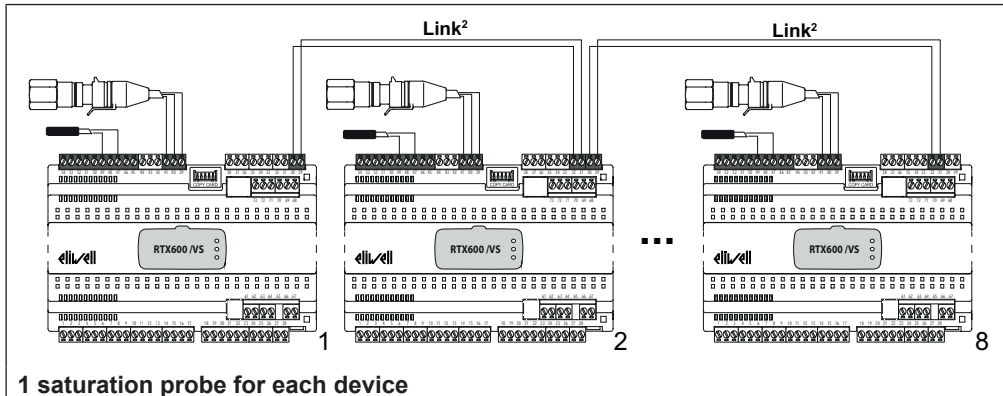
- Before switching on the electrical power, check all the wiring.

Failure to follow these instructions can result in equipment damage.

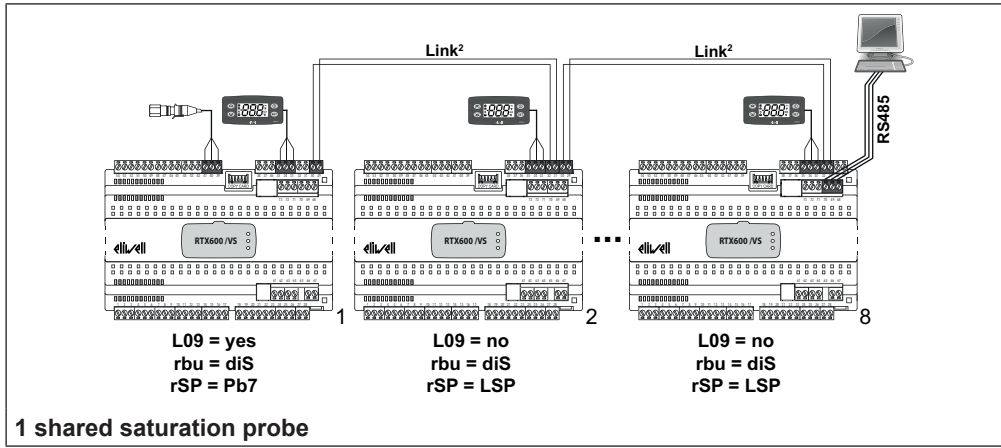
Configure the overheating probe (**rSS** - temperature probe NTC/PTC/Pt1000) and the saturation probe (**rSP** - Ratiometric transducer or pressure transducer 4...20 mA).



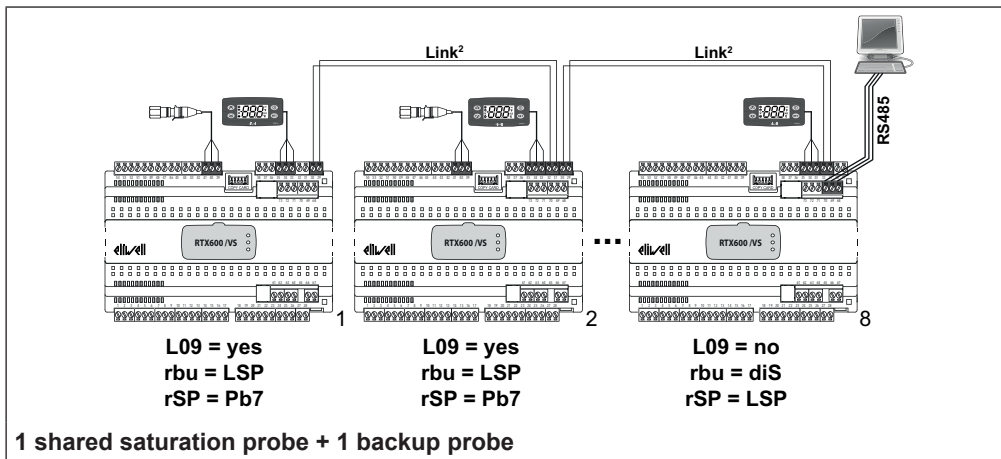
It is possible to connect a saturation probe to every device in the network (max 8 devices):



The network can share a single saturation probe among all devices in the local Link² network (max 8 devices):

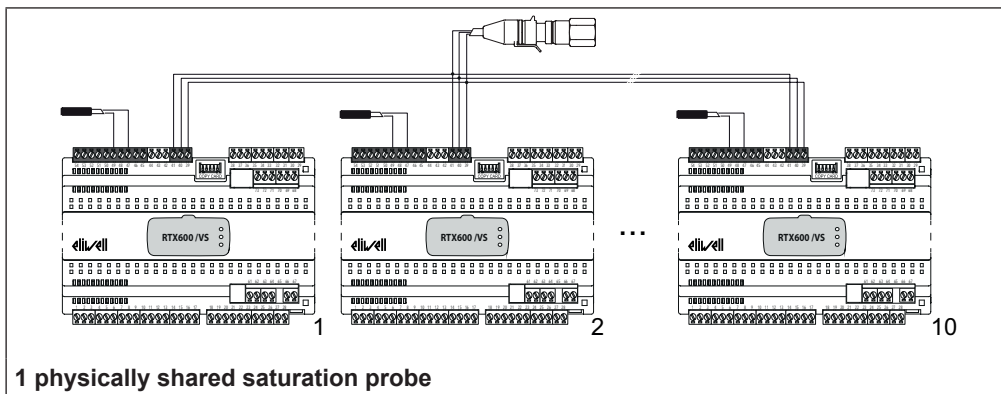


The network can share two saturation probes for all devices in the local Link² network (max 8 devices) one of which is for backup:



The network can physically share a saturation probe (on max 10 devices).

NOTE: Only with ratiometric sensor.



The related parameters are as follows:

PARA.	DESCRIPTION	RANGE	DEFAULT	AP1	AP2	AP3 ... AP8	M.U.
rSP	Selects the saturation probe used:	diS, Pb6, Pb7, LSP, rP	Pb6	Pb6 (DEFAULT)			num
rSS	Selects the overheating probe used:	diS, Pb1...Pb5	Pb5	Pb5 (DEFAULT)			num
EPd	Saturation value display mode.	t/P	t	t (DEFAULT)			num
Ert	Selects the type of refrigerant used.	404, r22, 410, 134, 744, 507, 717, 290, PAr, 407, 448, 449, 450, 513	410	410 (DEFAULT)			num
trA	Selects the model of ratiometric probe used.	USE, rA1...rA8	USE	USE (DEFAULT)			num
H00	Selects the type of temperature probes connected to Pb1...Pb5.	ntc, Ptc, Pt1	ntc	ntc	ntc	ntc	num
OLt	Sets the minimum overheating threshold	0.0...100.0	5.0	5.0 (DEFAULT)			°C/°F

LOCAL AND MONITORING NETWORK

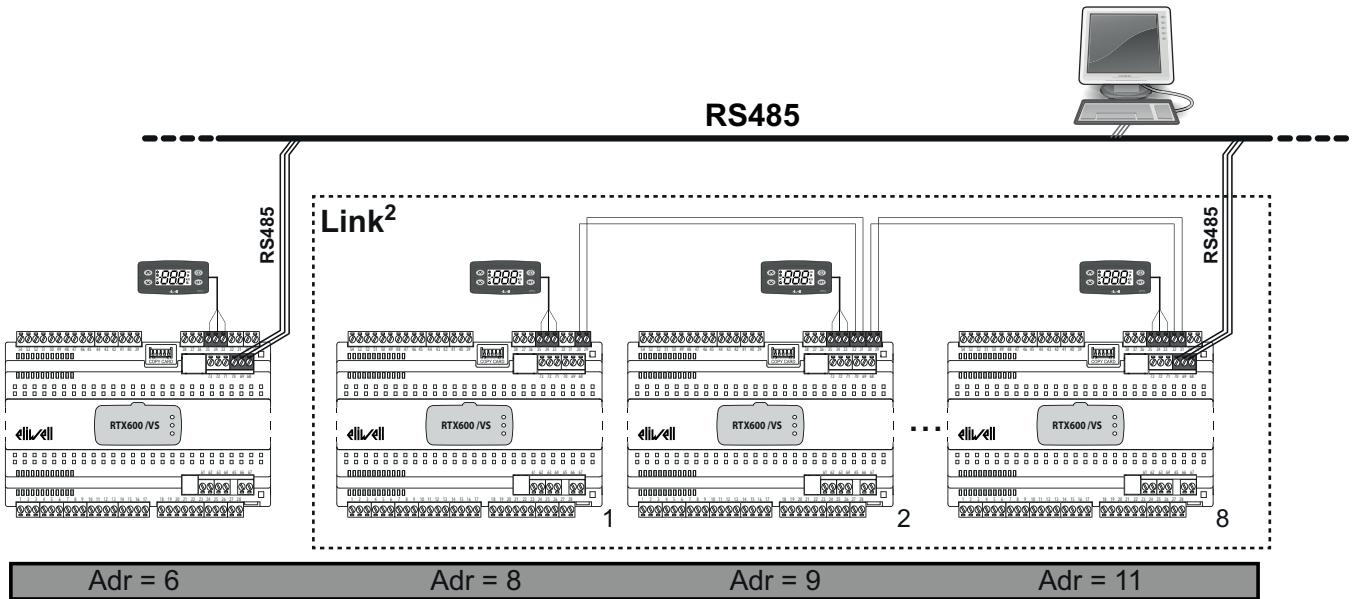
It is possible to connect up to a maximum of 8 **RTX 600 /VS** devices in a Link² local network and to connect only one device to the Modbus monitoring network, which will act as Gateway for the other devices connected to the local network.

Configuration of the Link² uses the same addresses of the supervision system.

There is no limitation on addresses (non-consecutive values are also possible) and there will not be a MASTER device.

Each device will make available to the network the information of the number of devices connected to the local network.

See the example connection Link² + Monitoring network below:



The related parameters are as follows:

PARA.	DESCRIPTION	RANGE	DEFAULT	AP1	AP2	AP3 ... AP8	M.U.
L00	Selects which probe to share.	diS, Pb1...Pb5, Pbi, PFi	diS	diS	diS	diS	num
L01	Shares the displayed value with the LAN.	0/1/2	0	0	0	0	num
L02	Sends the setpoint value to the LAN network when it has been changed.	no/yES	no	no	no	no	flag
L03	Enables sending of call for defrost to the LAN network.	0/1/2	0	0	0	0	flag
L04	End defrost mode.	ind/dEP	ind	ind	ind	ind	flag
L05	Enables synchronization of Stand-by command.	no/yES	no	no	no	no	flag
L06	Enables synchronization of lights command.	no/yES	no	no	no	no	flag
L07	Enables synchronization of Energy Saving command.	no/yES	no	no	no	no	flag
L08	Enables synchronization of AUX command.	no/yES	no	no	no	no	flag
L09	Enables sharing of saturation (pressure) probe.	no/yES	no	no	no	no	flag
L10	Sets the timeout for the end of dependent defrosts.	0...250	30	30	30	30	min
L11	Sets the number of devices connected in LAN for alarms.	0...8	0	0	0	0	num
L12	Sets how to share the alarms.	0/1/2	0	0	0	0	num

DEVICE MANAGER

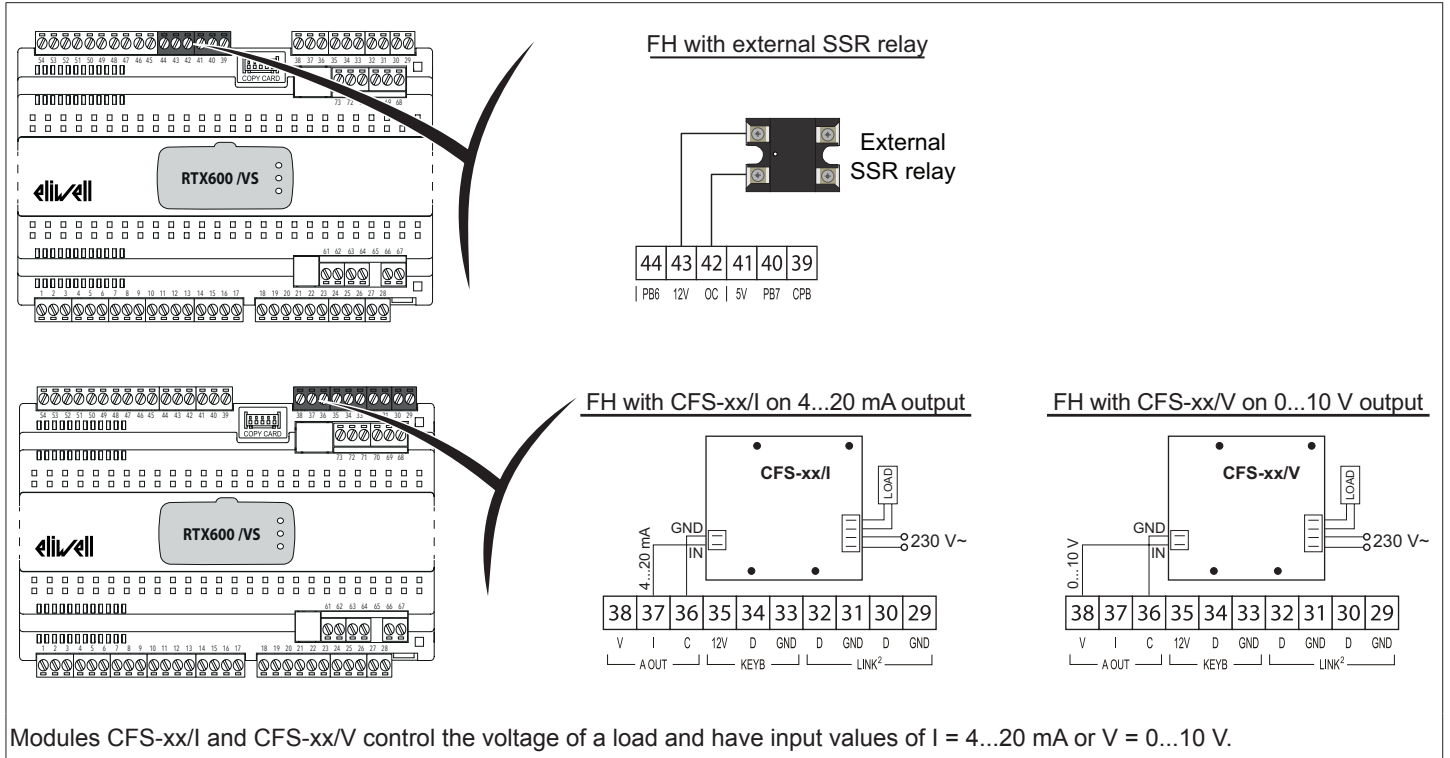
RTX 600 /VS can interface with the "Device Manager" software through the DMI interface.

This connection allows the value/visibility of fixed parameters and parameters present in vectors to be controlled from a PC.

The connection takes place directly on the device, as in the case of the UNICARD.

FRAME HEATER (FH)

This regulator makes it possible to activate the Frame Heaters of a display window or refrigerated cabinet. The device is used to pilot an external SSR relay via the Open Collector output or an external module with analogue input (0...10 V, 4...20 mA). Some connection examples are given below:



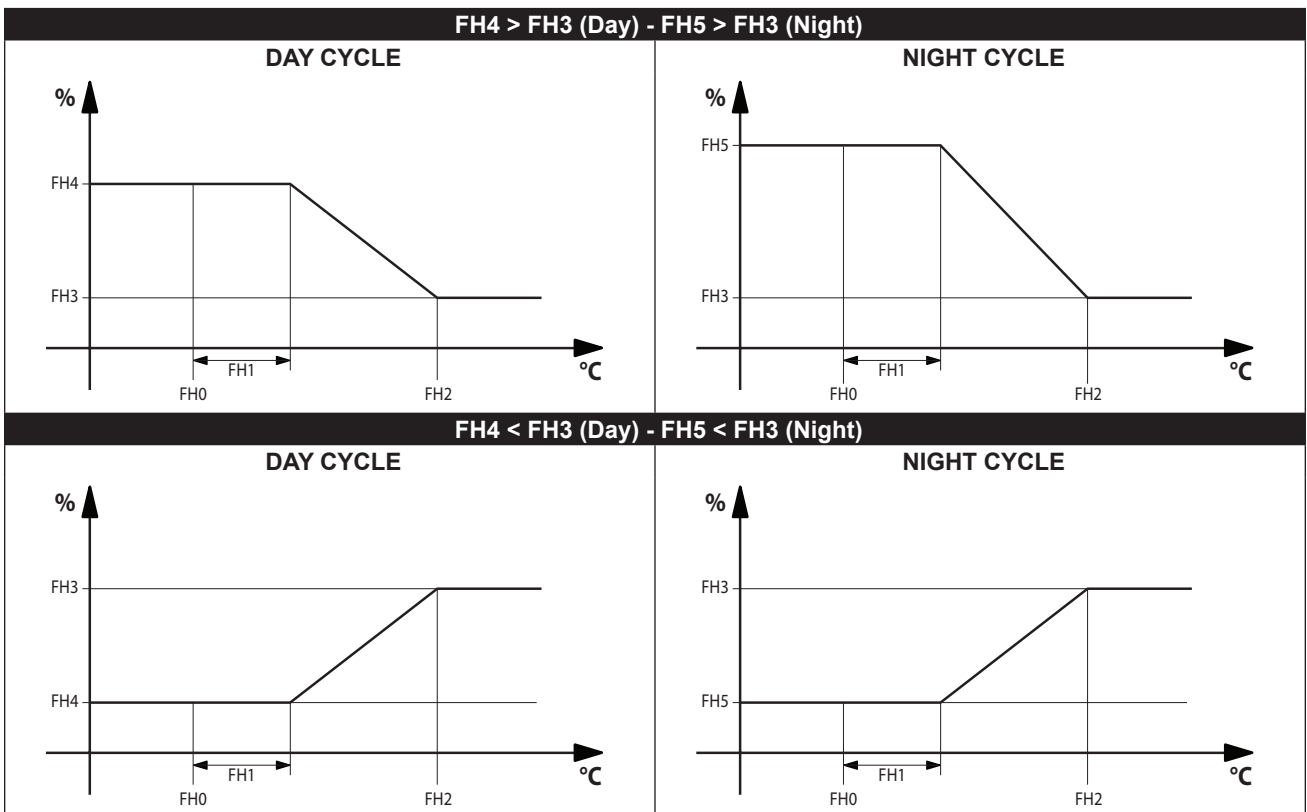
Modules CFS-xx/I and CFS-xx/V control the voltage of a load and have input values of $I = 4...20 \text{ mA}$ or $V = 0...10 \text{ V}$.

Control can be:

1. With fixed Duty Cycle (only if **FH** = dc)
2. Proportional to temperature
3. Proportional to the difference between the temperature and the DewPoint from remote

Point 1 has a fixed actuation percentage according to the parameters **FH4** (Day), **FH5** (Night) and **FH6** (Day and Night),

For points 2 and 3, the regulation is proportional to the temperature value read by the configured probe: Pb1, Pb2, Pb3, Pb4, Pb5, Pbi or PFi (see parameter **FH**). The output value depends on the value of the probe according to the following graphs:



The output modulation depends on the DewPoint (ambient) value set in parameter **FH0**.

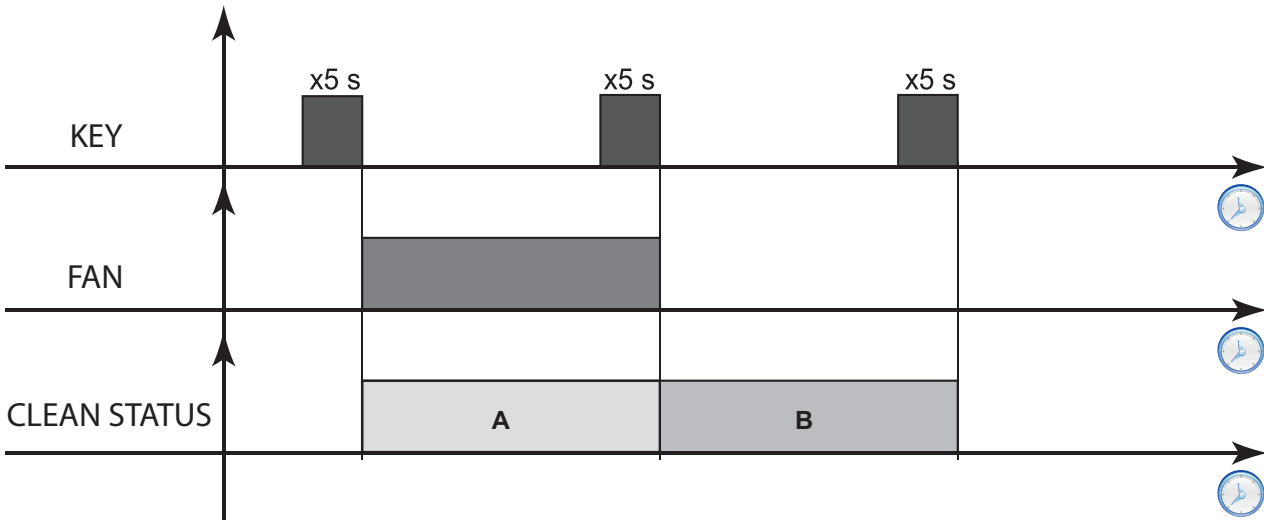
The related parameters are as follows:

PARA.	DESCRIPTION	RANGE	DEFAULT	AP1	AP2	AP3 ... AP8	M.U.
FH	Selects which probe will be used by the Frame Heaters (FH).	diS, dc, Pb1...Pb5, Pbi, PFi	diS	diS		diS	num
FHt	Duration of Frame Heaters (FH) operation, only used when OC output is used with SSR relay.	1...250	30	30		30	sec*10
FH0	Sets setpoint for Frame Heaters (FH).	-58.0...302	0.0	0.0		0.0	°C/°F
FH1	Sets offset for Frame Heaters (FH).	0.0...25.0	0.0	0.0		0.0	°C/°F
FH2	Sets band for Frame Heaters (FH).	-58.0...302	0.0	0.0		0.0	°C/°F
FH3	Sets minimum percentage for Frame Heaters (FH).	0...100	0	0		0	%
FH4	Sets maximum percentage for day Duty Cycle.	0...100	75	75		75	%
FH5	Sets maximum percentage for night-time Duty Cycle.	0...100	50	50		50	%
FH6	Setting of percentage during defrost.	0...100	100	100		100	%

CABINET CLEANING FUNCTION

This function is used for cabinet maintenance and implements a machine with 2 states:

- function activating
- state progress by pressing the associated key (H3x = 9).



During normal operation:

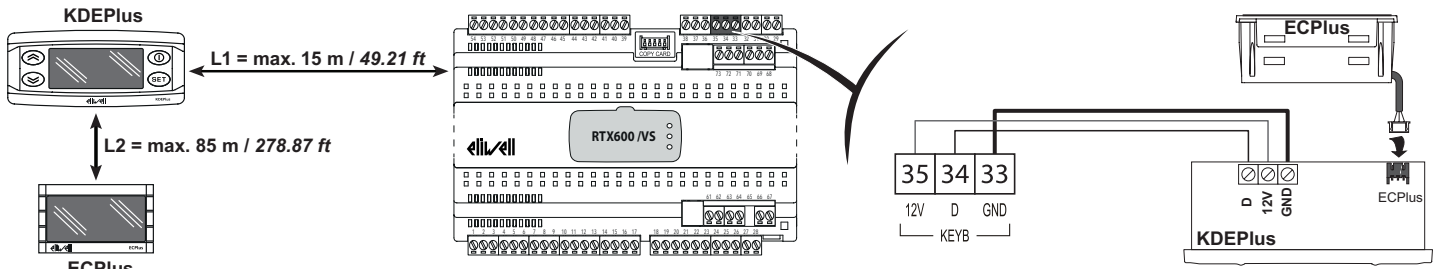
- Press the associated key (**KEY**) to enter the “Cleaning state 1” mode (**A**) and:
 - Fans on and all other loads deactivated
 - Fans icon (**FAN**) on
 - Display shows label **CLn**
- Press the associated key (**KEY**) again to move to “Cleaning state 2” mode (**B**) with:
 - All loads deactivated
 - Display shows label **CLn**
- Press the associated key (**KEY**) a third time to exit the cabinet Cleaning function and return to normal operation

In the event of a power outage, when switching on the power again the device returns to normal operation (the function is cancelled).

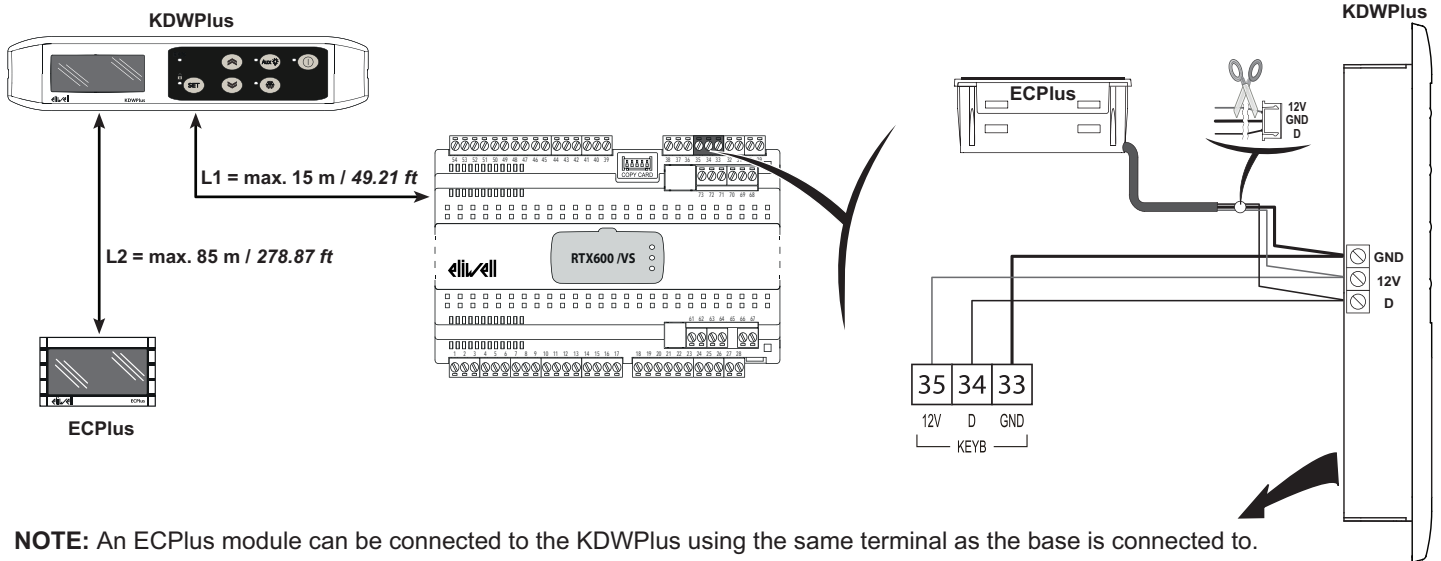
CONNECTIONS WITH USER TERMINAL AND REMOTE DISPLAY

Each **RTX 600 /VS** can be connected to a single **KDEPlus**, **KDWPlus** or **KDT** keyboard and if required to an **ECPlus** display module for remote display by means of the connector located on the keyboard.

RTX 600 /VS + KDEPlus + ECPlus CONNECTION

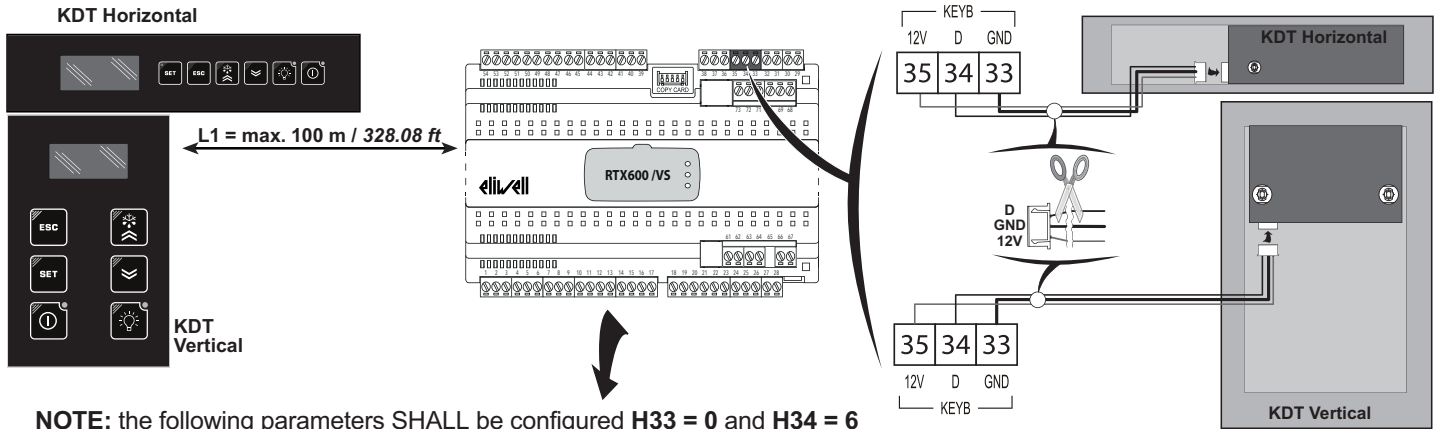


RTX 600 /VS + KDWPlus + ECPlus CONNECTION



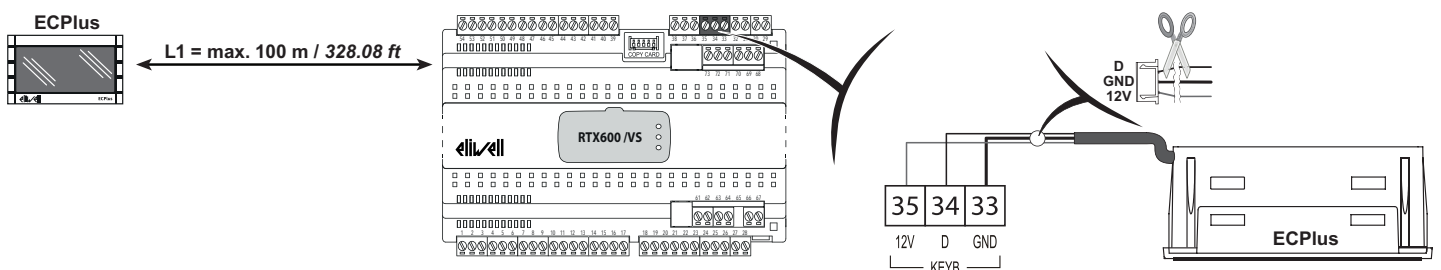
NOTE: An ECPlus module can be connected to the KDWPlus using the same terminal as the base is connected to.

RTX 600 /VS + KDT CONNECTION

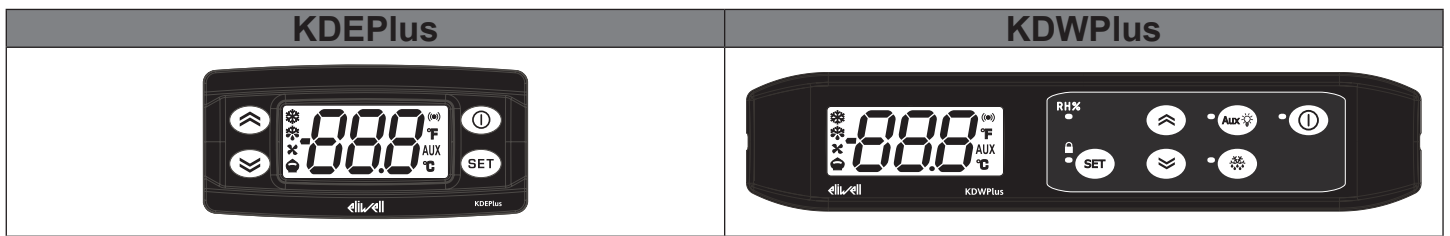












NOTE: the following parameters SHALL be configured **H33 = 0** and **H34 = 6**









RTX 600 /VS + ECPlus CONNECTION








KDEPlus and KDWPlus KEYBOARD INTERFACE



KDEPlus KEYS		KDWPlus KEYS	
	UP Press and release. Scrolls through menu options Increases values Press and hold for at least 5 sec Defrost manual activation		UP Press and release. Scrolls through menu options Increases values
	DOWN Press and release. Scrolls through menu options Decreases values		DOWN Press and release. Scrolls through menu options Decreases values
	STAND-BY (ESC) Press and release. Goes back up one level from current menu Confirms parameter value Press and hold for at least 5 sec Manual activation of Stand-by User-configurable function (par. H33)		STAND-BY (ESC) Press and release. Goes back up one level from current menu Confirms parameter value Press and hold for at least 5 sec Manual activation of Stand-by User-configurable function (par. H33)
	SET (ENTER) Press and release. Displays alarms (if present) Opens Machine Status menu Confirms commands Hold down for at least 5 sec Open Programming menu		SET (ENTER) Press and release. Displays alarms (if present) Opens Machine Status menu Confirms commands Hold down for at least 5 sec Open Programming menu
NOTE: The 2 KDEPlus and KDWPlus keyboards are equivalent.			DEFROST (ESC) Press and release. Manual defrost activation Goes back up one level from current menu
			AUX/LIGHT Press and release. Activates the AUX output / Switches on the light

DISPLAY ICONS			
	Reduced SET / Economy Permanently on: energy saving active Blinking: reduced setpoint active Off: otherwise		Alarm Permanently alight: alarm tripped Blinking: alarm acknowledged Off: otherwise
	Compressor Permanently on: compressor active Blinking: delay, protection or activation blocked Off: otherwise		Defrost Permanently alight: defrost active Blinking: activated manually or from DI. Off: otherwise
	Fans Permanently alight: fans on Off: otherwise		AUX Permanently alight: Aux output active and/or light on Blinking: Deep cooling cycle active
	°C Permanently alight: °C setting (dro =0) Off: otherwise		°F Permanently alight: °F setting (dro =1) Off: otherwise

LEDS (KDWPlus ONLY)			
	Fans forced ON (Hxx = 15)		Keyboard Locked
	Light relay on from key		Defrost active
	Device switched off		

LOADING DEFAULT APPLICATIONS

The procedure for loading one of the default applications is:

1. When the device is powered up, press and hold the **SET** key: the label "AP1" will appear.
NOTE: On the **KDT** keyboard, within 30 seconds from the end of the lamp test, press any key for at least 1 sec to exit the "stand-by" mode and then press the **SET** + **⏏** keys together to view label "AP1".
2. Scroll through the various applications (**AP1** ... **AP8**) using the **⏪** and **⏩** keys.
3. Select the desired application using the **SET** key or cancel the procedure by pressing the **ⓘ** key; alternatively wait for the timeout.
4. If the operation is successful, the display will show "yES", if not it will show "no".
5. The device resents and performs the Lamp Test.
6. After a few seconds the device will return to the main display.

NOTICE

INCORRECT OPERATION OF THE DEVICE

The loading procedure for one of the Default Applications restores the factory settings, i.e. the default values given in the parameters table, with the exception of the parameters which are not in the default applications **AP1...AP8** (and which are shown in the table on a grey background) which maintain the previously set value.

This means that all changes that may have been made to operating parameters will be lost.

Failure to follow these instructions can result in equipment damage.

DEFAULT PARAMETER SETTINGS

The **RTX 600 /VS** can be used to set the parameters to the default value, by loading one of the default applications **AP1...AP8** (see "LOADING THE DEFAULT APPLICATIONS" paragraph).

PASSWORD

Password **PA1**: allows access to the "User" parameters. The default setting is password protection disabled (**PS1=0**).

Password **PA2**: allows access to the "Installer" parameters. By default the password is enabled (**PS2=15**).
(For further details see the User Manual, which can be downloaded from the Eliwell website).

The visibility of PA2 is:

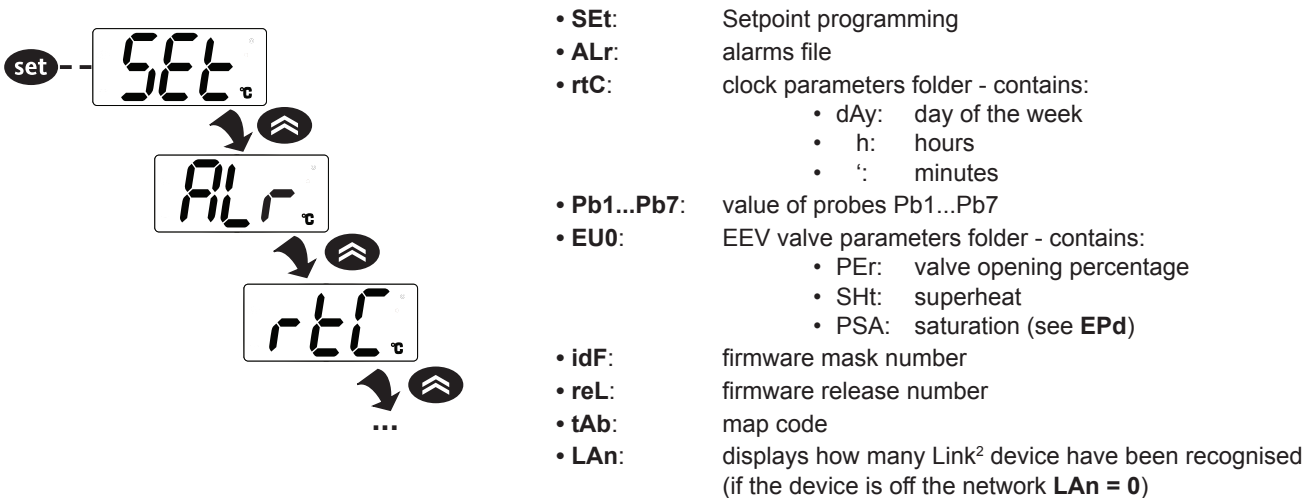
- 1) **PA1≠0 e PA2≠0**: Press **SET** for more than 5 seconds to view labels **PA1** and **PA2**.
Next, decide whether to access the "User" parameters (PA1) or the "Installer" parameters (PA2).
- 2) **Otherwise**: Password **PA2** is among the level1 parameters, at the end.
If enabled, it will be required in order to access the Installer parameters.

Press **SET** to enter the password, change the value with the **⏪** and **⏩** keys and confirm with **SET**.

If the value entered is incorrect, label PA1/PA2 will be shown again. Repeat the procedure.

"MACHINE STATUS" MENU

Press and release the **SET** key to access the "Machine Status" menu. If no alarms are active, the "SET" label appears. The various folders of the menu can be scrolled using the **⏪** and **⏩** keys:



Programming the setpoint: To view the Setpoint value, press the **SET** key when the "SET" label is displayed. The Setpoint value is shown on the display and the °C icon starts to blink. To change the Setpoint value, press the **⏪** and **⏩** keys within 15 seconds. Press **SET** to confirm the selection.

Displaying the probes: When label Pb1...Pb7 is displayed, press the button to see the associated probe value (**NOTA**: the value cannot be modified).

“PROGRAMMING” MENU

To access the “Programming” menu, press and hold the **SET** key for at least 5 seconds. If PASSWORD protection is activated, a prompt will appear: enter **PA1** for “User” parameters or **PA2** for “Installer” parameters (see “PASSWORD” section).

“User” parameters: When the menu is accessed, the display will show the first parameter (for example “rE”). Press **⏪** and **⏩** to scroll through all parameters of the current level. Select the desired parameter by pressing **SET**. Press **⏪** and **⏩** to edit and **SET** to save the change.

“Installer” parameters: When the menu is accessed, the display will show the first folder (for example “CP”). (“Installer” parameters are listed in the User Manual, which can be downloaded from the website www.eliwell.com).

NOTE: Switch the device off and back on again each time the configuration of the parameters is changed.

KEYBOARD SHARED ON LINK²

From each device of a Link² network it is possible, using the local keyboard, to navigate in any one of the other devices connected in the Link². This menu is activated, from the default menu, by simultaneously holding down the **⏪** and **Ⓜ** keys for 5 seconds. When the remote display is active, the 2 icons °C and °F blink.

You will be asked to enter the Modbus address (**Adr**) of the remote device.

To return to the default menu:

- Hold down the **⏪** and **Ⓜ** keys for 5 seconds;
- By time-out, 60 seconds after a key was last pressed.

During “remote control of the display”, the local keyboard (of the device of which the display has been remote controlled) is blocked. It is released 3 seconds after the release of the viewing of the display.

If when sharing the keyboard the connection is broken, the display will show “---”.

UNICARD / MULTI FUNCTION KEY

The UNICARD/Multi Function Key (MFK) is connected to the serial port (TTL) and allows fast programming of device parameters. Access the “Installer” parameters by entering PA2, then scroll through the folders with the **⏪** and **⏩** until the FPr folder is displayed. Press **SET** to select, scroll through the parameters with **⏪** and **⏩** and press **SET** to select the function (for example “UL”).

- **Upload (UL):** This function uploads the programming parameters from the device to the card. If the operation is successful, the display will show “yES”, otherwise it will show “no”.
- **Format (Fr):** This command is used to format the UNICARD/MFK (which is necessary when using the card for the first time). **NOTE:** Formatting with the Fr function will delete all data present. This operation cannot be reversed.
- **Download (dL):** This function uploads the programming parameters from the card to the device. If the operation is successful, the display will show “dLy”, otherwise it will show “dLn”.
- **Download:** Connect the UNICARD/MFK with the device switched off. At power-on, data will automatically start downloading from the UNICARD/MFK to the device. At the end of the lamp test, the display will show “dLy” if the operation was successful and “dLn” if it is not successful.

NOTE: After the download, the device will use the newly uploaded map settings.

BOOT LOADER FIRMWARE

The device is equipped with a Boot Loader, so it is possible to update the Firmware directly on site.

Updating may be carried out using UNICARD or MULTI FUNCTION KEY (MFK).

Updating procedure:

- Connect the UNICARD/MFK with the application (the connection may also be made with the device powered)
- Power up the device if it is off, otherwise switch it off and on again
- Wait until the LED of the UNICARD/MFK is blinking (operation in progress);
- The operation will be concluded when the LED of the UNICARD/MFK is:
 - **ON:** operation concluded correctly;
 - **OFF:** operation not performed (application not compatible...)

CLOCK (RTC)

The clock can be used to set defrost times (6 time bands for weekdays and 6 time bands for weekends/public holidays), periodic defrost (every n days) and daily events (1 event for weekdays and 1 event for weekends/public holidays).

Time band defrosts and periodic defrost are mutually exclusive functions (they cannot be activated simultaneously).

If defrost by RTC has been enabled and the clock is inoperable (E10 label), the defrost will run according to the mode set in **dit**.

DIAGNOSTICS

Alarms are always indicated by the buzzer (if present) and the alarm icon (🔔).

To silence the buzzer, press and release any key, the relative icon will continue to flash.

If alarm exclusion times have been set (see “AL” folder in the parameters table) the alarm will not be indicated.

ALARMS TABLE

Label	Description	Cause	Effects	Remedy
E1	Probe Pb1 error	<ul style="list-style-type: none"> measured values are outside operating range probe inoperable/short-circuited/open 	<ul style="list-style-type: none"> label E1 displayed alarm icon permanently on 	<ul style="list-style-type: none"> check probe type (H00) check the probe wiring replace probe.
E2	Probe Pb2 error	<ul style="list-style-type: none"> measured values are outside operating range probe inoperable/short-circuited/open 	<ul style="list-style-type: none"> label E2 displayed alarm icon permanently on 	<ul style="list-style-type: none"> check probe type (H00) check the probe wiring replace probe.
E3	Probe Pb3 error	<ul style="list-style-type: none"> measured values are outside operating range probe inoperable/short-circuited/open 	<ul style="list-style-type: none"> label E3 displayed alarm icon permanently on 	<ul style="list-style-type: none"> check probe type (H00) check the probe wiring replace probe.
E4	Probe Pb4 error	<ul style="list-style-type: none"> measured values are outside operating range probe inoperable/short-circuited/open 	<ul style="list-style-type: none"> label E4 displayed alarm icon permanently on 	<ul style="list-style-type: none"> check probe type (H00) check the probe wiring replace probe.
E5	Probe Pb5 error	<ul style="list-style-type: none"> measured values are outside operating range probe inoperable/short-circuited/open 	<ul style="list-style-type: none"> label E5 displayed alarm icon permanently on 	<ul style="list-style-type: none"> check probe type (H00) check the probe wiring replace probe.
E6	Pb6 probe error (4...20 mA)	<ul style="list-style-type: none"> measured values are outside operating range probe inoperable/short-circuited/open 	<ul style="list-style-type: none"> label E6 displayed alarm icon permanently on 	<ul style="list-style-type: none"> check the probe type check the probe wiring replace probe.
E7	Pb7 probe error (ratiometric)	<ul style="list-style-type: none"> measured values are outside operating range probe inoperable/short-circuited/open 	<ul style="list-style-type: none"> label E7 displayed alarm icon permanently on 	<ul style="list-style-type: none"> check probe type (trA) check the probe wiring replace probe.
EL	LINK ² probe error	<ul style="list-style-type: none"> measured values are outside operating range probe inoperable/short-circuited/open 	<ul style="list-style-type: none"> label EL displayed alarm icon permanently on 	<ul style="list-style-type: none"> check the probe type check the probe wiring replace probe.
Ei	VIRTUAL probe error	<ul style="list-style-type: none"> measured values are outside operating range probe inoperable/short-circuited/open 	<ul style="list-style-type: none"> label Ei displayed alarm icon permanently on 	<ul style="list-style-type: none"> check the probe type check the probe wiring replace probe.
AH1	HIGH temperature alarm 1	Value read by probe 1 > HA1 after time set in ta1 .	<ul style="list-style-type: none"> recording of label AH1 in folder ALr no effect on regulation 	Await return to normal of value read by the selected probe with rA1 lower than HA1-AFd .
AL1	LOW temperature alarm 1	Value read by probe 1 < LA1 after time set in ta1 .	<ul style="list-style-type: none"> recording of label AL1 in folder ALr no effect on regulation 	Await return to normal of value read by the selected probe with rA1 higher than LA1+AFd .
AH2	HIGH temperature alarm 2	Value read by probe 2 > HA2 after time set in ta2 .	<ul style="list-style-type: none"> recording of label AH2 in folder ALr no effect on regulation 	Await return to normal of value read by the selected probe with rA2 lower than HA2-AFd .
AL2	LOW temperature alarm 2	Value read by probe 2 < LA2 after time set in ta2 .	<ul style="list-style-type: none"> recording of label AL2 in folder ALr no effect on regulation 	Await return to normal of value read by the selected probe with rA2 higher than LA2+AFd .
EA	External alarm	Digital input activated	<ul style="list-style-type: none"> recording of label EA in folder ALr alarm icon permanently on lockout of regulation as requested by EAL 	Check and remove external cause of alarm on D.I.
OPd	Alarm door open	Digital input activated (for a time greater than tdO)	<ul style="list-style-type: none"> recording of label OPd in folder ALr alarm icon permanently on lockout of regulation as requested by dOd 	<ul style="list-style-type: none"> close the door delay preceding indication of alarm defined by OAO.
Ad2	End of defrost due to timeout	End of defrost cycle due to timeout rather than due to defrosting end temperature being read by defrost control probe.	<ul style="list-style-type: none"> recording of label Ad2 in folder ALr alarm icon permanently on 	Await next defrost cycle for automatic return to normal
Prr	Preheating alarm	Alarm for preheat input regulator ON	<ul style="list-style-type: none"> label Prr displayed compressor icon blinking regulation inhibited (Compressor and Fans) <p>NOTE: defrost will also be blocked if it is reverse cycle or hot gas defrost</p>	Preheat input regulator off.
E10	Clock alarm	<ul style="list-style-type: none"> clock (RTC) low battery RTC inoperable 	<ul style="list-style-type: none"> label E10 recorded in folder ALr functions associated with clock not available 	Reset the time in the "Machine State" menu
E11	Power-Pack alarm	Insufficient voltage (Power-Pack charging)	<ul style="list-style-type: none"> recording of label E11 in folder ALr alarm icon permanently on valve closure not guaranteed 	FOR EXPERT USERS (Refer to user manual)
E12	Valve alarm	<ul style="list-style-type: none"> valve not connected correctly valve inoperable 	<ul style="list-style-type: none"> recording of label E12 in folder ALr alarm icon permanently on regulation lock 	Check the valve connection
E13	Valve driver protection active	<ul style="list-style-type: none"> incorrect valve connection valve inoperable overcurrent measured on valve inputs 	<ul style="list-style-type: none"> recording of label E13 in folder ALr alarm icon permanently on regulation lock 	<ul style="list-style-type: none"> check the valve connection check there is no short-circuit on the valve output
E14	No base-expansion communication alarm	Internal communication alarm	<ul style="list-style-type: none"> recording of label E14 in folder ALr alarm icon permanently on regulation lock 	<ul style="list-style-type: none"> check operation of communication with supervision check that nothing is connected to the CopyCard connector

Label	Description	Cause	Effects	Remedy
E15	Alarm Power-Pack	Power-Pack module inoperable	<ul style="list-style-type: none"> recording of label E15 in folder ALr alarm icon permanently on valve closure not guaranteed 	FOR EXPERT USERS (Refer to user manual)
EEP	Valve MOP alarm valve	Saturation temperature has exceeded the threshold value set via the Hot parameter	<ul style="list-style-type: none"> label EEP recorded in folder ALr alarm icon permanently on 	Temperature returns below the Hot value
EEt	Max valve outlet alarm valve opening	The valve is fully open	<ul style="list-style-type: none"> label EEt recorded in folder ALr alarm icon permanently on 	<ul style="list-style-type: none"> check the valve connection check the connection/operation of the overheating probe
EES	Saturation probe error	<ul style="list-style-type: none"> measured values are outside operating range probe inoperable/short-circuited/open 	<ul style="list-style-type: none"> label EES displayed alarm icon permanently on 	<ul style="list-style-type: none"> check the probe type (rSP) check the probe wiring replace probe.

“USER” PARAMETERS TABLE

NOTES: - for the complete list of parameters, refer to the user manual available on the Eliwell website.
- parameters with grey background (■) are not in the applications and are not change if another application AP1...AP8 is loaded.

PAR.	DESCRIPTION	M.U.	RANGE	AP1	AP2	AP3...AP8
COMPRESSOR (CP)						
rP1	Sets control probe 1. diS (0) = disabled; Pb1(1) = probe Pb1; Pb2(2) = probe Pb2; Pb3(3) = probe Pb3; Pb4(4) = probe Pb4; Pb5(5) = probe Pb5; Pbi (6) = virtual probe; LP (7) = remote probe; PFi (8) = filtered virtual probe (see H74).	num	diS, Pb1...Pb5, Pbi, LP, PFi	Pb1	Pb1	Pb1
SP1	Temperature control SETpoint.	°C/°F	LS1...HS1	0.0	0.0	0.0
dF1	Activation differential (absolute or relative). NOTE: dF1 ≠ 0.	°C/°F	-58.0...302	2.0	2.0	2.0
HS1	Maximum value assignable to setpoint SP1. NOTE: The two setpoints are interdependent: HS1 cannot be less than LS1 and vice versa.	°C/°F	LS1...302	20.0	20.0	20.0
LS1	Minimum value assignable to setpoint SP1. NOTE: The two setpoints are interdependent: LS1 cannot be greater than HS1 and vice versa.	°C/°F	-58.0...HS1	-35.0	-35.0	-35.0
Ont	The device switch-on time in the event of inoperable probe. • if Ont = 1 and OFt = 0, the compressor stays on permanently (ON); • if Ont > 0 and OFt > 0, it operates in Duty Cycle mode.	min	0...250	3	3	3
OFt	The device switch-off time in the event of inoperable probe. • if OFt = 1 and Ont = 0, the compressor will always stay off (OFF); • if Ont > 0 and OFt > 0, it operates in Duty Cycle mode.	min	0...250	3	3	3
OdO	Delay in activating outputs after the device is switched on or after a power outage. 0 = not active.	min	0...250	0	0	0
DEFROST (dEF)						
dP1	Sets the probe used by defrosting 1. diS (0) = disabled; Pb1(1) = probe Pb1; Pb2(2) = probe Pb2; Pb3(3) = probe Pb3; Pb4(4) = probe Pb4; Pb5(5) = probe Pb5; Pbi (6) = virtual probe; LP (7) = remote probe; PFi (8) = filtered virtual probe (see H74).	num	diS Pb1...Pb5, Pbi, LP, PFi	Pb2	Pb2	Pb2
dty	Type of defrost 0 = electrical defrost (using heaters) or air defrost; 1 = reverse cycle defrost; 2 = hot gas defrost for plug-in applications (with integrated compressor); 3 = hot gas defrost for applications with remote control (for example ducted counters); 4 = electrical defrost (using heaters) or air defrost with energy saving algorithms.	num	0...4	0	0	0
dit	Interval between the start of two consecutive defrost cycles. 0 = function disabled (defrost NEVER performed).	hours	0...250	24	6	24
dCt	Selects the count mode for the defrost interval: 0 = defrost disabled; 1 = compressor running time (DIGIFROST® method); defrost active ONLY when the compressor is on; NOTE: compressor running hours are counted separately from the evaporator probe (count active also when evaporator probe missing or inoperable). 2 = appliance running time; defrost counting is always active when the machine is on and starts at each power-on; 3 = compressor stop Every time the compressor stops, a defrost cycle is performed according to parameter dTY; 4 = RTC; 5 = temperature.	num	0...5	4	2	4
dE1	Evaporator 1 defrost time-out; determines maximum duration of the defrost cycle.	min	1...250	30	30	30
dS1	Defrost 1 end temperature (determined by evaporator probe 1) (only if dP1 ≠ diS).	°C/°F	-58.0...302	7.0	7.0	7.0
dSS	Start defrost temperature threshold (only if dCt = 5).	°C/°F	-58.0...302	-5.0	-5.0	-5.0
dPO	Determines whether or not the device defrost at power-up (provided that the temperature measured at the evaporator will allow defrost). no(0) = no, no defrost at power-up; yES(1) = yes, defrost at power-up.	flag	no/yES	no	no	no

NOTES: - for the complete list of parameters, refer to the user manual available on the Eliwell website.
 - parameters with grey background (■) are not in the applications and are not change if another application AP1...AP8 is loaded.

PAR.	DESCRIPTION	M.U.	RANGE	AP1	AP2	AP3...AP8	
dPH	Periodic defrost start hour (only if dCt = 4). 0...23 = start hour; 24 = disabled.	hours	0...24	24	24	24	
dPn	Periodic defrost start minutes (only if dCt = 4).	min	0...59	0	0	0	
dPd	Interval between one defrost and next (periodic function) (only if dCt=4).	days	1...7	1	1	1	
Fd1	Holiday 1 (only if dCt = 4). 0...6 = start day; 7 = disabled.	days	0...7	7	7	7	
Fd2	Holiday 2 (only if dCt = 4). 0...6 = start day; 7 = disabled.	days	0...7	7	7	7	
d1H	Weekday defrost 1 start hour (only if dCt = 4). 0...23 = start hour; 24 = disabled.	hours	0...24	0	0	0	
d1n	Weekday defrost 1 start minutes (only if dCt = 4).	min	0...59	0	0	0	
d2H	Weekday defrost 2 start hour (only if dCt = 4). d1H...23 = start hour; 24 = disabled.	hours	d1H...24	6	24	6	
d2n	Weekday defrost 2 start minutes (only if dCt = 4).	min	0...59	0	0	0	
d3H	Weekday defrost 3 start hour (only if dCt = 4). d2H...23 = start hour; 24 = disabled.	hours	d2H...24	12	24	12	
d3n	Weekday defrost 3 start minutes (only if dCt = 4).	min	0...59	0	0	0	
d4H	Weekday defrost 4 start hour (only if dCt = 4). d3H...23 = start hour; 24 = disabled.	hours	d3H...24	18	24	18	
d4n	Weekday defrost 4 start minutes (only if dCt = 4).	min	0...59	0	0	0	
d5H	Weekday defrost 5 start hour (only if dCt = 4). d4H...23 = start hour; 24 = disabled.	hours	d4H...24	24	24	24	
d5n	Weekday defrost 5 start minutes (only if dCt = 4).	min	0...59	0	0	0	
d6H	Weekday defrost 6 start hour (only if dCt = 4). d5H...23 = start hour; 24 = disabled.	hours	d5H...24	24	24	24	
d6n	Weekday defrost 6 start minutes (only if dCt = 4).	min	0...59	0	0	0	
F1H	Holiday defrost 1 start hour (only if dCt = 4). 0...23 = start hour; 24 = disabled.	hours	0...24	0	24	0	
F1n	Holiday defrost 1 start minutes (only if dCt = 4).	min	0...59	0	0	0	
F2H	Holiday defrost 2 start hour (only if dCt = 4). F1H...23 = start hour; 24 = disabled.	hours	F1H...24	6	24	6	
F2n	Holiday defrost 2 start minutes (only if dCt = 4).	min	0...59	0	0	0	
F3H	Holiday defrost 3 start hour (only if dCt = 4). F2H...23 = start hour; 24 = disabled.	hours	F2H...24	12	24	12	
F3n	Holiday defrost 3 start minutes (only if dCt = 4).	min	0...59	0	0	0	
F4H	Holiday defrost 4 start hour (only if dCt = 4). F3H...23 = start hour; 24 = disabled.	hours	F3H...24	18	24	18	
F4n	Holiday defrost 4 start minutes (only if dCt = 4).	min	0...59	0	0	0	
F5H	Holiday defrost 5 start hour (only if dCt = 4). F4H...23 = start hour; 24 = disabled.	hours	F4H...24	24	24	24	
F5n	Holiday defrost 5 start minutes (only if dCt = 4).	min	0...59	0	0	0	
F6H	Holiday defrost 6 start hour (only if dCt = 4). F5H...23 = start hour; 24 = disabled.	hours	F5H...24	24	24	24	
F6n	Holiday defrost 6 start minutes (only if dCt = 4).	min	0...59	0	0	0	
FANS (FAn)							
FP1	Sets the probe used by the evaporator fans: Pb1(1) = probe Pb1; Pb2(2) = probe Pb2; Pb3(3) = probe Pb3; Pb4(4) = probe Pb4; Pb5(5) = probe Pb5; Pbi (6) = virtual probe; LP (7) = remote probe; PFi (8) = filtered virtual probe (see H74).	num	diS Pb1...Pb5, Pbi, LP, PFi	Pb2	Pb2	Pb2	
FSt	Fans lockout temperature; if the value read is greater than FSt, the fans will be stopped. The value is positive or negative (only if FP1≠dis).	°C/°F	-58.0...302	5.0	5.0	5.0	
FAd	Fan activation differential (only if FP1≠dis).	°C/°F	0.1...25.0	1.0	1.0	1.0	
dt	Dripping time.	min	0...250	0	0	0	
dFd	Operating mode of evaporator fans during defrost. OFF (0) = Fans Off; On (1) = Fans On.	flag	OFF/On	On	On	On	
FCO	Evaporator fans operating mode. The status of the fans will be:						
	FP1	DAY				NIGHT	
		FCO	COMPRESSOR ON	COMPRESSOR OFF	COMPRESSOR ON	COMPRESSOR OFF	
	probe operating	0	Thermostat controlled	OFF	Thermostat controlled	OFF	num
		1	Thermostat controlled	Thermostat controlled	Thermostat controlled	Thermostat controlled	
		2	Thermostat controlled	Thermostat controlled	Thermostat controlled	Thermostat controlled	
		3	Thermostat controlled	Duty cycle Day	Thermostat controlled	Duty cycle Night	
	4	Thermostat controlled	Duty cycle Day	Thermostat controlled	Duty cycle Night		
	probe inoperable	0	Duty cycle Day	OFF	Duty cycle Night	OFF	
		1	ON	OFF	ON	OFF	
		2	Duty cycle Day	Duty cycle Day	Duty cycle Night	Duty cycle Night	
		3	Duty cycle Day	Duty cycle Day	Duty cycle Night	Duty cycle Night	
	4	Duty cycle Day	Duty cycle Day	Duty cycle Night	Duty cycle Night		
	probe absent	0	ON	OFF	ON	OFF	
		1	ON	ON	ON	ON	
		2	Duty cycle Day	Duty cycle Day	Duty cycle Night	Duty cycle Night	
3		ON	Duty cycle Day	ON	Duty cycle Night		
4	ON	Duty cycle Day	ON	Duty cycle Night			
Duty cycle Day: controlled by means of parameters "FOn" and "FOF". Duty cycle Night: controlled by means of parameters "Fnn" and "FnF".							
FdC	Evaporator fans switch-off delay after compressor deactivation.	min	0...250	0	0	0	
FOn	Time fans remain ON during daytime duty cycle. Operation of fans in duty cycle mode; valid when Dutycycle mode is active (see FCO).	min	0...250	1	1	1	
FOF	Time fans remain OFF during daytime duty cycle. Operation of fans in duty cycle mode; valid when Dutycycle mode is active (see FCO).	min	0...250	0	0	0	

NOTES: - for the complete list of parameters, refer to the user manual available on the Eliwell website.
 - parameters with grey background (■) are not in the applications and are not change if another application AP1...AP8 is loaded.

PAR.	DESCRIPTION	M.U.	RANGE	AP1	AP2	AP3...AP8
Fnn	Time fans remain ON during night-time duty cycle. Operation of fans in duty cycle mode; valid when Dutycycle mode is active (see FCO).	min	0...250	1	1	1
FnF	Time fans remain OFF during daytime duty cycle. Operation of fans in duty cycle mode; valid when Dutycycle mode is active (see FCO).	min	0...250	0	0	0
ALARMS (AL)						
rA1	Sets probe 1 used for temperature alarms. diS (0) = disabled; Pb1 (1) = probe Pb1; Pb2 (2) = probe Pb2; Pb3 (3) = probe Pb3; Pb4 (4) = probe Pb4; Pb5 (5) = probe Pb5; Pbi (6) = virtual probe; PFi (8) = filtered virtual probe (see H74).	num	diS Pb1...Pb5, Pbi, PFi	Pb1	Pb1	Pb1
Att	It define if parameters HA1 and LA1 will be used as the absolute temperature value or differential in relation to the Setpoint. AbS (0) = absolute value; rEL (1) = relative value. NOTE: In case of relative values (par. Att=1), the HAL parameter should be set to positive values, while the LAL parameter should be set to negative values (-LAL).	flag	AbS/rEL	rEL	rEL	rEL
AFd	Alarms activation differential.	°C/°F	0.1...25.0	2.0	2.0	2.0
HA1	Probe 1 maximum alarm (only if rA1 ≠ dis). Temperature value (based on Att) above which the probe will trigger activation of the alarm signal.	°C/°F	LA1...302	10.0	10.0	10.0
LA1	Probe 1 minimum alarm (only if rA1 ≠ dis). Temperature value (based on Att) below which the probe will trigger activation of the alarm signal.	°C/°F	-58.0...HA1	-10.0	-10.0	-10.0
PAO	Alarm exclusion time after the device is switched on following a power outage. This parameter refers to high/low temperature alarms only.	hours	0...10	3	3	3
dAO	Temperature alarm exclusion time after defrost.	min	0...250	30	30	30
OAO	Alarm indication delay (high and low temperature) following deactivation of digital input (port closed).	hours	0...10	■	0	■
tdO	Door open alarm activation delay.	min	0...250	■	35	■
tA1	Delay preceding temperature alarm signal. This parameter refers to high/low temperature alarms LA1 and HA1 only.	min	0...250	30	30	30
dAt	Alarm indicating end of defrost as a result of timeout. no (0) = does not activate alarm; yES (1) = activates alarm.	flag	no/yES	no	no	no
LIGHTS & DIGITAL INPUTS (Lit)						
dSd	Light relay / door switch interlock. no (0) = light does not come on when door opens; yES (1) = light (if currently off) comes on when door opens	flag	no/yES	■	yES	■
dLt	Delay preceding deactivation (switch-off) of light relay (interior light). The light relay remains on for dLt minutes when the door is closed if parameter dSd is set to switch on the light.	min	0...250	■	0	■
OFL	Light relay always deactivated by light key. Enables switching off with cold room light switch even if the delay after closing the door set by dLt is enabled. no (0)= no; yES (1)= yes.	flag	no/yES	■	no	■
dOd	Enable utility switch-off on activation of door switch. 0 = disabled; 1 = disables fans; 2 = disables the compressor; 3 = disables fans and compressor.	num	0...3	■	3	■
dOA	Action forced from digital input (if PEA ≠ 0): 0 = activates the compressor; 1 = activates the fans; 2 = activates the compressor and fans; 3 = deactivates the compressor; 4 = deactivates the fans; 5 = deactivates the compressor and fans.	num	0...5	■	2	■
PEA	Selection of digital input configured to inhibit/enable resources. 0 = function disabled; 1 = associated to door switch; 2 = associated to external alarm; 3 = associated to external alarm and door switch.	num	0...3	■	1	■
dCO	Compressor activation/deactivation delay when enabled (DI activated).	min	0...250	■	15	■
dFO	Fan activation/deactivation delay when enabled (DI activated).	min	0...250	■	15	■
LINK² (Lin)						
L00	Selects which probe to share: diS (0) = disabled; Pb1 (1) = probe Pb1; Pb2 (2) = probe Pb2; Pb3 (3) = probe Pb3; Pb4 (4) = probe Pb4; Pb5 (5) = probe Pb5; Pbi (6) = virtual probe PFi (7) = filtered virtual probe (H74).	num	diS Pb1...Pb5, Pbi, PFi	diS	■	diS
L01	Shares the displayed value with the LAN. 0 = value displayed by the device cannot be sent to the LINK ² network; 1 = value displayed by the device can be sent to the LINK ² network; 2 = displays the value of the device that set L01 = 1.	num	0/1/2	0	■	0
L02	Sends the Setpoint value to the LINK ² network after it has been changed. no (0) = no; yES (1) = yes.	flag	no/yES	no	■	no
L03	Call for defrost can be sent to the LINK ² network. 0 = defrost request sending disabled; 1 = master device for sending simultaneous defrost request; 2 = master device for sending sequential defrost request.	flag	0/1/2	0	■	0
L04	End defrost mode. ind (0) = independent; dEP (1) = dependent. Wait for all devices to finish defrosting.	flag	ind/dEP	ind	■	ind
L05	Enables synchronization of Stand-by command. no (0) = no; yES (1) = yes.	flag	no/yES	no	■	no

NOTES: - for the complete list of parameters, refer to the user manual available on the Eliwell website.
 - parameters with grey background (■) are not in the applications and are not change if another application AP1...AP8 is loaded.

PAR.	DESCRIPTION	M.U.	RANGE	AP1	AP2	AP3...AP8
L06	Enables synchronization of lights command. no (0) = no; yES (1) = yes.	flag	no/yES	no	■	no
L07	Enables synchronization of Energy Saving command. no (0) = no; yES (1) = yes.	flag	no/yES	no	■	no
L08	Enables synchronization of AUX command. no (0) = no; yES (1) = yes.	flag	no/yES	no	■	no
L09	Enables sharing of saturation (pressure) probe. no (0)= no; yES (1)= yes.	flag	no/yES	no	■	no
L10	Sets the timeout for the end of dependent defrosts.	min	0...250	30	■	30
L11	Sets the number of devices connected in LAN for alarms. If the read device number is different from the set number, a Link ² (ELi) alarm will be triggered, with automatic reset once the device number matches that set in the parameter.	num	0...8	0	■	0
L12	Sets how to share the alarms. 0 = function disabled; 1 = alarm relay master; 2 = alarm relay slave.	num	0/1/2	0	■	0
ENERGY SAVING (EnS)						
Est	Type of event activated by RTC: 0 = disabled; 1 = Energy Saving; 2 = Energy Saving + Light off; 3 = Energy Saving + Light off + AUX output active; 4 = Device switched off.	num	0 ... 4	0	■	0
ESF	Activation of fans in night mode (energy saving). no (0) = disabled; yES (1) = enabled if energy saving mode is active (Est ≠ 0 and Est ≠ 4).	flag	no/yES	no	no	no
Cdt	Door close time for dynamic setpoint activation.	min*10	0...255	■	0	■
ESO	Cumulative door open time for dynamic setpoint deactivation.	num	0...10	■	0	■
OS1	Setpoint 1 offset (SP1) in energy saving mode.	°C/°F	-50.0...50.0	3.0	3.0	3.0
Od1	Energy Saving Offset 1 glass door display cabinets.	°C/°F	-50.0...50.0	■	0.0	■
dn1	Setpoint 1 differential (SP1) in energy saving mode.	°C/°F	-58.0...302	4.0	4.0	4.0
EdH	Weekday Energy Saving start hour (only if H68 = yES). 0...23 = start hour; 24 = disabled.	hours	0...24	24	■	24
Edn	Weekday Energy Saving start minutes (only if H68 = yES).	min	0...59	0	■	0
Edd	Weekday Energy Saving duration (only if H68 = yES).	hours	1...72	10	■	10
EFH	Holiday Energy Saving start hour (only if H68 = yES). 0...23 = start hour; 24 = disabled.	hours	0...24	24	■	24
EFn	Holiday Energy Saving start minutes (only if H68 = yES).	min	0...59	0	■	0
EFd	Holiday Energy Saving duration (only if H68 = yES).	hours	1...72	24	■	24
FRAME HEATER (FrH)						
FH	Selects which probe will be used by the Frame Heaters: diS (0) = disabled; dc (1) = Duty Cycle; Pb1 (2) = probe Pb1; Pb2 (3) = probe Pb2; Pb3 (4) = probe Pb3; Pb4 (5) = probe Pb4; Pb5 (6) = probe Pb5; Pbi (7) = virtual probe; Pfi (8) = filtered virtual probe (H74).	num	diS, dc, Pb1...Pb5, Pbi, Pfi	diS	■	diS
FHt	Duration of Frame Heaters operation, only used when OC output is used with SSR relay.	sec*10	1...250	30	■	30
FH0	Setting of Setpoint for Frame Heaters (only if FH ≠ dis and FH ≠ dc).	°C/°F	-58.0...302	0.0	■	0.0
FH1	Setting of Offset for Frame Heaters (only if FH ≠ dis and FH ≠ dc).	°C/°F	0.0...25.0	0.0	■	0.0
FH2	Setting of Band for Frame Heaters (only if FH ≠ dis and FH ≠ dc).	°C/°F	-58.0...302	0.0	■	0.0
FH3	Setting of minimum Percentage for Frame Heaters (only if FH ≠ dis and FH ≠ dc).	%	0...100	0	■	0
FH4	Sets maximum percentage for day Duty Cycle.	%	0...100	75	■	75
FH5	Sets maximum percentage for night-time Duty Cycle.	%	0...100	50	■	50
FH6	Setting of percentage during defrost.	%	0...100	100	■	100
COMMUNICATION (Add)						
Adr	ModBUS protocol device address.	num	1...250	1 (DEFAULT)	■	
bAU	Baudrate selection 96 (0) = 9600; 192 (1) = 19200; 384 (2) = 38400.	num	96/192/384	96 (DEFAULT)	■	
Pty	Sets the Modbus parity bit n (0) = none; E (1) = even; o (2) = odd.	num	n/E/o	E (DEFAULT)	■	
DISPLAY (diS)						
LOC	Setpoint edit lock. The parameter programming menu can still be accessed, and the settings changed, which means also that the status of this parameter can be changed so as to unlock the keyboard. no (0) = no; yES (1) = yes.	flag	no/yES	no	no	no
ndt	Display values with decimal point. no (0) = no (integers only); yES (1) = yes (displayed with decimal point).	flag	no/yES	yES	yES	yES
CA1	Probe Pb1 calibration (only if H41=Pro). Positive or negative temperature value added to the value read by Pb1 . This sum is used for both temperature display and temperature regulation purposes.	°C/°F	-30.0...30.0	0.0	0.0	0.0
CA2	Probe Pb2 calibration (only if H42=Pro). Positive or negative temperature value added to the value read by Pb2 . This sum is used for both temperature display and temperature regulation purposes.	°C/°F	-30.0...30.0	0.0	0.0	0.0
CA3	Probe Pb3 calibration (only if H43=Pro). Positive or negative temperature value added to the value read by Pb3 . This sum is used for both temperature display and temperature regulation purposes.	°C/°F	-30.0...30.0	0.0	0.0	0.0

NOTES: - for the complete list of parameters, refer to the user manual available on the Eliwell website.
 - parameters with grey background (■) are not in the applications and are not change if another application AP1...AP8 is loaded.

PAR.	DESCRIPTION	M.U.	RANGE	AP1	AP2	AP3...AP8
CA4	Probe Pb4 calibration (only if H44=Pro). Positive or negative temperature value added to the value read by Pb4 . This sum is used for both temperature display and temperature regulation purposes.	°C/°F	-30.0...30.0	0.0	0.0	0.0
CA5	Probe Pb5 calibration (only if H45=Pro). Positive or negative temperature value added to the value read by Pb5 . This sum is used for both temperature display and temperature regulation purposes.	°C/°F	-30.0...30.0	0.0	0.0	0.0
CA6	Pressure probe calibration (Pb6 - 4...20 mA) (only if H46=Pro). Positive or negative temperature value added to the value read by Pb6 . This sum is used for both temperature display and temperature regulation purposes.	Bar	-30.0...30.0	0.0	0.0	0.0
CA7	Ratiometric probe calibration (Pb7) (only if H47=Pro). Positive or negative temperature value added to the value read by Pb7 . This sum is used for both temperature display and temperature regulation purposes.	Bar	-30.0...30.0	0.0	0.0	0.0
LdL	Minimum value that can be displayed by the device.	°C/°F	-58.0...HdL	-40.0	-40.0	-40.0
HdL	Maximum value that can be displayed by the device.	°C/°F	LdL...302	100.0	100.0	100.0
ddl	Display mode during defrost. 0 = displays the temperature read by probe or the setpoint (see ddd); 1 = locks the reading at the temperature value read by probe when defrosting starts and until the next time the SET is reached (or until Ldd has elapsed); 2 = displays the label DEF during defrosting and until the next time the SET is reached (or until Ldd has elapsed).	num	0/1/2	0	0	0
Ldd	Timeout value for display unlock.	min	0...250	0	0	0
ddd	Selects the type of value to show in the display. SP1 (0) = setpoint SP1; Pb1 (1) = probe Pb1; Pb2 (2) = probe Pb2; Pb3 (3) = probe Pb3; Pb4 (4) = probe Pb4; Pb5 (5) = probe Pb5; Pbi (6) = virtual probe; LP (7) = remote probe; Pfi (8) = filtered virtual probe (see H74).	num	SP1, Pb1...Pb5, Pbi, LP, Pfi	Pb1	Pb1	Pb1
HACCP (HCP)						
rPH	Selects which probe will be used by the HACCP alarms. diS (0) = disabled; Pb1 (1) = probe Pb1; Pb2 (2) = probe Pb2; Pb3 (3) = probe Pb3; Pb4 (4) = probe Pb4; Pb5 (5) = probe Pb5.	num	diS Pb1...Pb5	diS	diS	diS
CONFIGURATION (CnF) → Switched off and on again if one or more of the parameters are changed.						
trA	Selects the model of ratiometric probe used: USE (0) = Generic Probe Settable by the customer; rA1 (1) = EWPA010 R 0/5V 0/10BAR FEMALE; rA2 (2) = EWPA030 R 0/5V 0/30BAR FEMALE; rA3 (3) = EWPA050 R 0/5V 0/50BAR FEMALE; rA4 (4) = AKS 32R -1 ...6 BAR; rA5 (5) = AKS 32R -1 ...12 BAR; rA6 (6) = AKS 32R -1 ... 20 BAR; rA7 (7) = AKS 32R -1 ... 34 BAR; rA8 (8) = Reserved. NOTE: The upper and lower limits of the probes rA1...rA8 are default settings (and cannot be edited). To select USE consult the manual on www.eliwell.com .	num	USE, rA1...rA8	USE (DEFAULT)		
H00	Selection of type of probe used (Pb1 ... Pb5). ntc (0) = NTC; Ptc (1) = PTC; Pt1 (2) = Pt1000	num	ntc/Ptc/Pt1	ntc	ntc	ntc
H08	Stand-by operating mode. 0 = display off: the regulators are active and the device reactivates the display to signal any alarms. 1 = display off; regulators and alarms blocked. 2 = display shows OFF label; regulators and alarms blocked.	num	0/1/2	2	2	2
H16	Configuration of digital input 6/polarity (Pb6) (only if H46=di). 0 = disabled; ± 1 = start defrost; ± 2 = end defrost; ± 3 = light; ± 4 = energy saving; ± 5 = AUX; ± 6 = external alarm; ± 7 = stand-by; ± 8 = door switch; ± 9 = preheating alarm; ±10 = reserved; ±11 = reserved; ±12 = reserved; ±13 = deep cooling; ±14 = force EEV in OFF; ±15 = Fans forced ON; ±16 = force OF1 (remote offset); ±17 = general input. NOTE: - The "+" sign indicates the input is active when the contact is closed - The "-" sign indicates that the input is active when the contact is opened	num	-17...17	0	0	0
H18	Configuration of digital input 8/polarity (DI). Same as H16 .	num	-17...17	0	-8	0
d16	Delay in activation of digital input 6 (Pb6) (only if H46=di).	min	0...255	0	0	0
d18	Delay preceding activation of digital input 8 (DI).	min	0...255	0	0	0

NOTES: - for the complete list of parameters, refer to the user manual available on the Eliwell website.
 - parameters with grey background (■) are not in the applications and are not change if another application AP1...AP8 is loaded.

PAR.	DESCRIPTION	M.U.	RANGE	AP1	AP2	AP3...AP8
H24	Configuration of digital output 4 (OUT 4). 0 = disabled; 1 = compressor 1; 2 = defrost 1/hot gas valve; 3 = evaporator fans; 4 = alarm; 5 = AUX; 6 = stand-by; 7 = light; 8 = frame heater; 9 = defrost 2; 10 = reserved; 11 = condenser fans; 12 = AUX regulator; 13 = hot gas on evaporator inlet valve; 14 = alarm with inverted polarity; 15 = case heater; 16 = condensation collector heater; 17 = liquid valve.	num	0...17	7	7	7
H27	Configuration of digital output 7 (Open Collector). Same as H24.	num	0...17	8		8
H33	Configuration of ESC key. 0 = disabled; 1 = defrost; 2 = Reduced set; 3 = light; 4 = energy saving; 5 = AUX; 6 = stand-by; 7 = deep cooling; 8 = defrost start/end; 9 = cabinet cleaning function.	num	0...9	6	6	6
H60	Display of selected application. 0 = disabled; 1 = Vector 1 (AP1); 2 = Vector 2 (AP2); 3 = Vector 3 (AP3); 4 = Vector 4 (AP4); 5 = Vector 5 (AP5); 6 = Vector 6 (AP6); 7 = Vector 7 (AP7); 8 = Vector 8 (AP8).	num	0...8	1 (DEFAULT)		
ELECTRONIC EXPANSION VALVE (EE0)						
rSP	Selects the saturation probe used: diS (0) = disabled; Pb6 (1) = pressure probe 4...20 mA; Pb7 (2) = ratiometric probe; LSP (3) = remote probe (shared internally of local network - Link ²); rP (4) = remote probe (supervisor).	num	dis Pb6, Pb7, LSP, rP	Pb6 (DEFAULT)		
rSS	Selects the overheating probe used: diS (0) = disabled; Pb1 (1) = probe Pb1; Pb2 (2) = probe Pb2; Pb3 (3) = probe Pb3; Pb4 (4) = probe Pb4; Pb5 (5) = probe Pb5.	num	diS Pb1...Pb5	Pb5 (DEFAULT)		
EPd	Saturation value display mode: t (0) = temperature; P (1) = pressure.	flag	t/P	t (DEFAULT)		
Ert	Selects the type of refrigerant used: 404 (0) = R404A; r22 (1) = R22; 410 (2) = R410A; 134 (3) = R134a; 744 (4) = R744 (CO2); 507 (5) = R507A; 717 (6) = R717 (NH3); 290 (7) = reserved; PAr (8) = refrigerant parameterizable; 407 (9) = R407A; 448 (10) = R448A; 449 (11) = R449A; 450 (12) = R450; 513 (13) = R513A. NOTE: for custom settings relative to the type of refrigerant in use, contact Eliwell.	num	404, r22, 410,134, 744, 507, 717, 290, PAr, 407, 448, 449, 450, 513	410 (DEFAULT)		
U06	Minimum useful valve opening percentage.	%	0...100	100 (DEFAULT)		
OLt	Minimum overheating threshold.	°C/°F	2.0...999.9	5.0 (DEFAULT)		
COPY CARD (FPr).						
UL	Upload. To transfer programming parameters from device to CopyCard.	/	/	/ (DEFAULT)		
dL	Download. To transfer programming parameters from Copy Card to device.	/	/	/ (DEFAULT)		
Fr	Formatting. To erase data on Copy Card. NOTE: If parameter "Fr" is used, the data entered will be permanently lost. This operation cannot be reversed.	/	/	/ (DEFAULT)		
FUNCTIONS (FnC)						

The following functions are available:

Function	Function label ACTIVE	Function label NOT ACTIVE	Signalling
Manual defrost	dEF + icon blinking	dEF	Blinking Defrost icon
AUX (ON = active; OFF=not active)	Aon	AoF	AUX ON icon
Stand-by	OFF	OFF	LED Stand-by ON (only KDWPlus)

NOTE: • To edit the state of a given function press the "set" key
 • If the device is switched off the function labels will return to the default (inactive) state.

DISCLAIMER

This document is the exclusive property of ELIWELL CONTROLS SRL and may not be reproduced or circulated without the express permission of ELIWELL CONTROLS SRL. While all possible care has been taken to ensure the accuracy of this document, ELIWELL CONTROLS SRL cannot accept liability for any damage resulting from its use. The same applies to any person or company involved in preparing and editing this document. ELIWELL CONTROLS SRL reserves the right to make aesthetic or functional changes at any time without notice.

LIABILITY AND RESIDUAL RISKS

ELIWELL CONTROLS SRL declines any liability for damage due to:

- installation/uses other than those expressly specified and, in particular, failure to comply with the safety requirements of established standards and/or instructions specified in this document
- use on panels that do not provide adequate protection against electric shock, water or dust when assembled
- use on panels allowing access to dangerous parts without having to use tools
- tampering with and/or modification of the product
- installation/use on panels which are not compliant with current standards and regulations

CONDITIONS OF USE

Permitted use

For safety reasons, the device must be installed and used in accordance with the instructions provided. In particular, parts carrying dangerous voltages must not be accessible under normal conditions.

The device must be adequately protected from water and dust with regard to the application, and must only be accessible using tools (with the exception of the front panel). The device is suitable for use in household refrigeration appliances and/or similar equipment and has been tested for safety aspects in accordance with the harmonized European reference standards.

Prohibited use

Any use other than that expressly permitted is prohibited. The relay contacts provided are mechanical and subject to failure: any protection devices required by product standards, or suggested by good practice in view of obvious safety requirements, must be installed externally of the device.

DISPOSAL

The equipment (or product) must be subjected to separate waste collection in compliance with the local legislation on waste disposal.

DATE OF PRODUCTION

The date of production is shown on the device label, indicating the week and year of production (WW-YY).

Eliwell Controls s.r.l.

Via dell'Industria, 15 • Z.I. Paludi

32016 Alpago (BL) - ITALY

T: +39 0437 986 111

F: +39 0437 989 066

www.eliwell.com

Technical Customer Support:

T: +39 0437 986 300

E: Techsuppeliwell@schneider-electric.com

Sales:

T: +39 0437 986 100 (Italy)

T: +39 0437 986 200 (other countries)

E: saleseliwell@schneider-electric.com

MADE IN ITALY

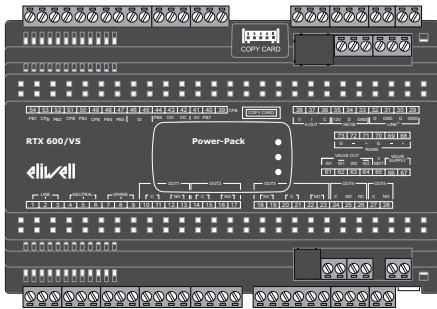


RTX 600 /VS DOMINO

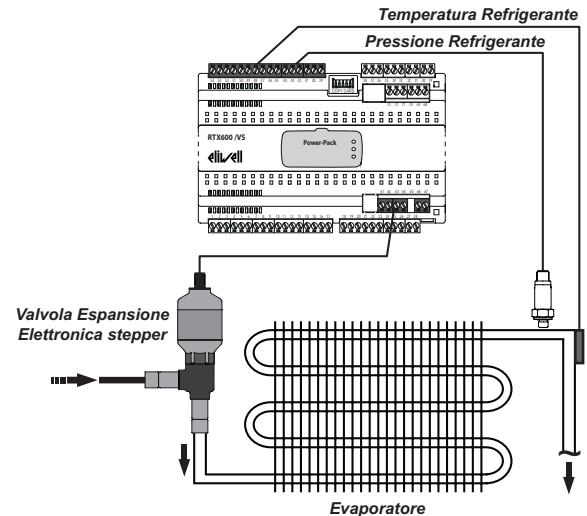
Dispositivo per banchi frigoriferi canalizzati con gestione valvole espansione elettronica (EEV) stepper

eliwell

by Schneider Electric



- Driver per EEV stepper integrata
- Algoritmi di Risparmio Energetico
- Applicazioni precaricate
- Sbrinamento singolo / doppio evaporatore
- Resistenze anticondensa (Frame heater)
- Autoconfigurazione rete Locale



NOTA: per ulteriori approfondimenti, la descrizione dei regolatori e l'elenco completo dei parametri, fare riferimento al manuale utente disponibile sul sito Eliwell (www.eliwell.com).

CONNESSIONI ELETTRICHE

⚠ ⚠ PERICOLO

RISCHIO DI SHOCK ELETTRICO, ESPLOSIONE O ARCO ELETTRICO

- Mettere fuori tensione tutti i dispositivi, inclusi i dispositivi collegati, prima di rimuovere qualunque coperchio o sportello, o prima di installare/disinstallare accessori, hardware, cavi o fili.
- Per verificare che il sistema sia fuori tensione, usare sempre un voltmetro correttamente tarato al valore nominale della tensione.
- Prima di rimettere il dispositivo sotto tensione rimontare e fissare tutti i coperchi, i componenti hardware e i cavi.
- Per tutti i dispositivi che lo prevedono, verificare la presenza di un buon collegamento di terra.
- Utilizzare questo dispositivo e tutti i prodotti collegati solo alla tensione specificata.
- Non collegare il dispositivo direttamente alla tensione di linea, salvo dove espressamente indicato.

Il mancato rispetto di queste istruzioni provocherà morte o gravi infortuni.

Questa apparecchiatura è stata progettata per funzionare al di fuori di qualsiasi luogo pericoloso. Installare questa apparecchiatura esclusivamente in zone notoriamente prive di atmosfere pericolose.

⚠ PERICOLO

RISCHIO DI ESPLOSIONE E INCENDIO

Non utilizzare questo dispositivo in applicazioni che utilizzano il refrigerante infiammabile R290.

Il mancato rispetto di queste istruzioni provocherà morte o gravi infortuni.

⚠ PERICOLO

RISCHIO DI SURRISCALDAMENTO E INCENDIO

- Installare ed utilizzare questo dispositivo solo in luoghi non a rischio.
- Non utilizzare con carichi differenti da quelli indicati nei dati tecnici.
- Non superare la corrente massima consentita; in caso di carichi superiori usare un contattore di adatta potenza.

Il mancato rispetto di queste istruzioni provocherà morte o gravi infortuni.

I dispositivi elettrici devono essere installati, usati e riparati solo da personale qualificato.

Eliwell non assume nessuna responsabilità per qualunque conseguenza derivante dall'uso di questo materiale.

⚠ AVVERTIMENTO

FUNZIONAMENTO ANOMALO DELL'APPARECCHIATURA DOVUTO A COLLEGAMENTO

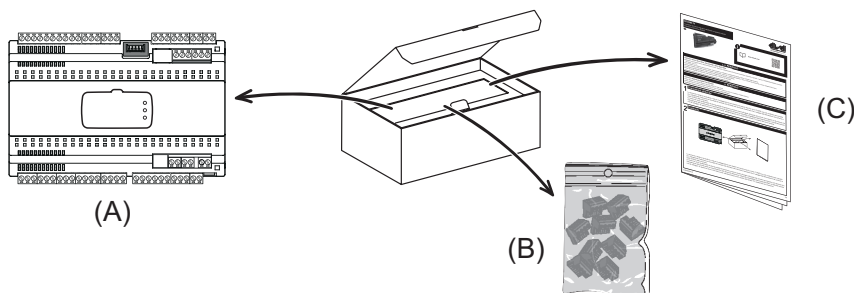
I cavi di segnale (sonde, ingressi digitali, comunicazione, e relative alimentazioni), i cavi di potenza e di alimentazione del dispositivo devono essere instradati separatamente.

Il mancato rispetto di queste istruzioni può provocare morte, gravi infortuni o danni alle apparecchiature.

Le **sonde di temperatura** (NTC, PTC, Pt1000) non sono caratterizzate da alcuna polarità di inserzione e possono essere allungate utilizzando del normale cavo bipolare. L'allungamento delle sonde grava sul comportamento del dispositivo dal punto di vista della compatibilità elettromagnetica EMC: fare attenzione durante le operazioni di cablaggio.

Le **sonde raziometriche** (0 ... 5 V) o **di pressione** (4 ... 20 mA), sono caratterizzate da una polarità di collegamento.

CONTENUTO CONFEZIONE

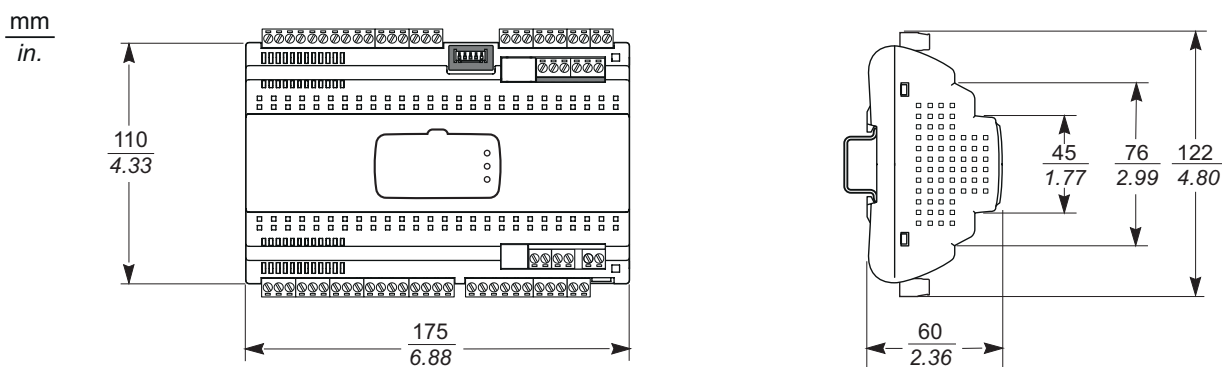


INFORMAZIONI GENERALI:

All'interno della confezione sono presenti:

- (A) RTX 600 /VS
- (B) KIT morsetti sconnettibili
- (C) Foglio istruzioni

DIMENSIONI



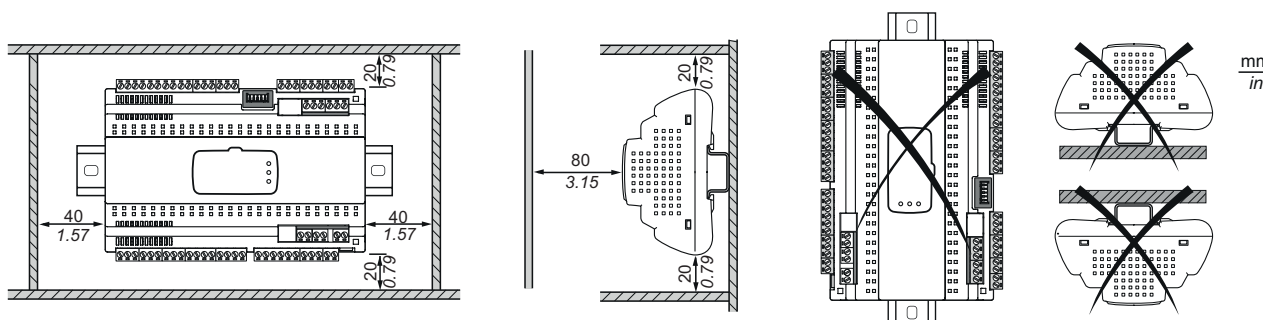
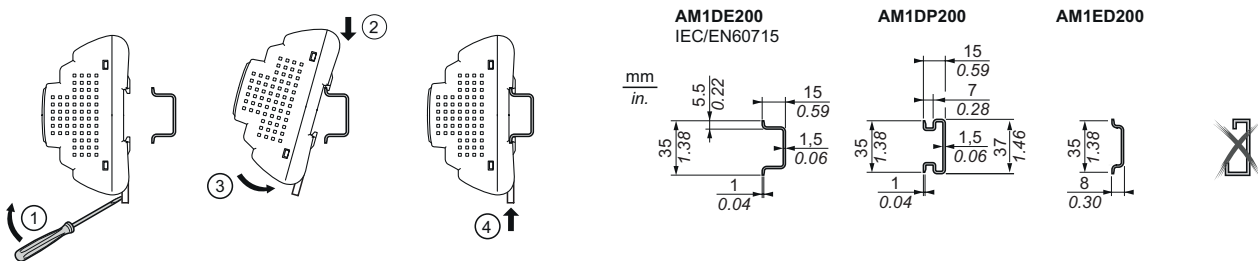
MONTAGGIO MECCANICO

⚠ AVVERTIMENTO

FUNZIONAMENTO ANOMALO DELL'APPARECCHIATURA

- Collocare i dispositivi che dissipano la maggiore quantità di calore in corrispondenza della parte superiore dell'armadio e garantire una ventilazione adeguata.
- Evitare di collocare questa apparecchiatura in prossimità o al di sopra di dispositivi che potrebbero dare luogo a surriscaldamento.
- Installare l'apparecchiatura in un punto che garantisce le distanze minime da tutte le strutture e apparecchiature adiacenti come indicato nel presente documento.
- Installare tutte le apparecchiature in conformità alle specifiche tecniche indicate nella rispettiva documentazione

Il mancato rispetto di queste istruzioni può provocare morte, gravi infortuni o danni alle apparecchiature.



DATI TECNICI (EN 60730-2-9)

Classificazione:	Dispositivo di funzionamento (non di sicurezza) da incorporare
Montaggio:	Su barra DIN Rail
Tipo di azione:	1.B
Grado di inquinamento:	2
Gruppo del materiale isolante:	IIIa
Categoria di sovratensione:	II
Tensione impulsiva nominale:	2500 V
Temperatura:	Utilizzo: -5,0...50,0 °C (23,0...122 °F) - Immagazzinamento: -30,0...50,0 °C (-22,0...122 °F)
Alimentazione:	SMPS 100...240 Vac (± 10 %) 50/60 Hz
Consumo:	12,5 W max
Alimentazione ausiliaria EEV:	24 Vac (± 10 %) 50/60 Hz (tramite trasformatore esterno, massimo assorbimento 35 VA)
Categoria di resistenza al fuoco:	D
Classe del software:	A

ULTERIORI INFORMAZIONI

Caratteristiche Ingressi

Campo di misura:	NTC: -50,0...110 °C (-58,0...230 °F) PTC: -55,0...150 °C (-67,0...302 °F) Pt1000: -60,0...150 °C (-76,0...302 °F)	} (su display con 3 digits + segno)
Accuratezza:	$\pm 1,0$ °C/°F per temperature inferiori a -30,0 °C (-22,0 °F) $\pm 0,5$ °C/°F per temperature comprese tra -30,0...25,0 °C (-22,0...77,0 °F) $\pm 1,0$ °C/°F per temperature superiori a 25 °C (77 °F)	
Risoluzione:	1 oppure 0,1 °C/°F	
Buzzer:	NO	
Ingressi Analogici/Digitali:	5 ingressi NTC / PTC / Pt1000 / DI configurabili (Pb1-Pb2-Pb3-Pb4-Pb5) 1 ingresso 4...20 mA / DI configurabile (Pb6) 1 ingresso raziometrico / DI configurabile (Pb7) 1 ingresso digitale multifunzione libero da tensione (DI)	

Caratteristiche Uscite

Uscite Digitali:	<table border="1"><thead><tr><th>USCITA</th><th>DESCRIZIONE</th><th>EN 60730 (max 250 Vac)</th></tr></thead><tbody><tr><td>OUT1:</td><td>relé SPST</td><td>NA 16(5) A</td></tr><tr><td>OUT2:</td><td>relé SPST</td><td>NA 16(5) A</td></tr><tr><td>OUT3:</td><td>relé SPDT</td><td>NA 16(5) A - NC 16 A resistivi</td></tr><tr><td>OUT4:</td><td>relé SPDT</td><td>NA 8(4) A - NC 6(3) A</td></tr><tr><td>OUT5:</td><td>relé SPST</td><td>NA 8(4) A</td></tr></tbody></table>	USCITA	DESCRIZIONE	EN 60730 (max 250 Vac)	OUT1:	relé SPST	NA 16(5) A	OUT2:	relé SPST	NA 16(5) A	OUT3:	relé SPDT	NA 16(5) A - NC 16 A resistivi	OUT4:	relé SPDT	NA 8(4) A - NC 6(3) A	OUT5:	relé SPST	NA 8(4) A
USCITA	DESCRIZIONE	EN 60730 (max 250 Vac)																	
OUT1:	relé SPST	NA 16(5) A																	
OUT2:	relé SPST	NA 16(5) A																	
OUT3:	relé SPDT	NA 16(5) A - NC 16 A resistivi																	
OUT4:	relé SPDT	NA 8(4) A - NC 6(3) A																	
OUT5:	relé SPST	NA 8(4) A																	
Uscita OC (Open Collector):	1 uscita multifunzione: 12 Vdc - 20 mA																		
Uscita DAC:	1 uscita multifunzione: 0...10 Vdc / 4...20 mA																		
Uscita driver EEV stepper:	1 Connettore a 4 vie per comando valvola bipolare (Corrente massima 0,8 A per avvolgimento)																		

Caratteristiche Meccaniche

Contenitore:	Corpo in resina PC+ABS UL94 V-0
Dimensioni:	10 DIN Rail
Morsetti:	sconnettibili per cavi con sezione di max 2,5 mm ² (13 AWG)
Connettori:	1 TTL per collegamento UNICARD / Device Manager (via DMI) / Multi Function Key (lunghezza massima 3 m / 9,84 ft.) 1 seriale RS-485 opto-isolata per supervisione 1 seriale per collegamento rete Link ² locale 1 seriale per collegamento tastiera (KDEPlus, KDWPlus, KDT) o visualizzatore ECPlus
Umidità:	NOTA: per le connessioni usare solo cavo "twistato" e schermato tipo BELDEN Utilizzo / Immagazzinamento: 10...90 %RH (non condensante)

Normative

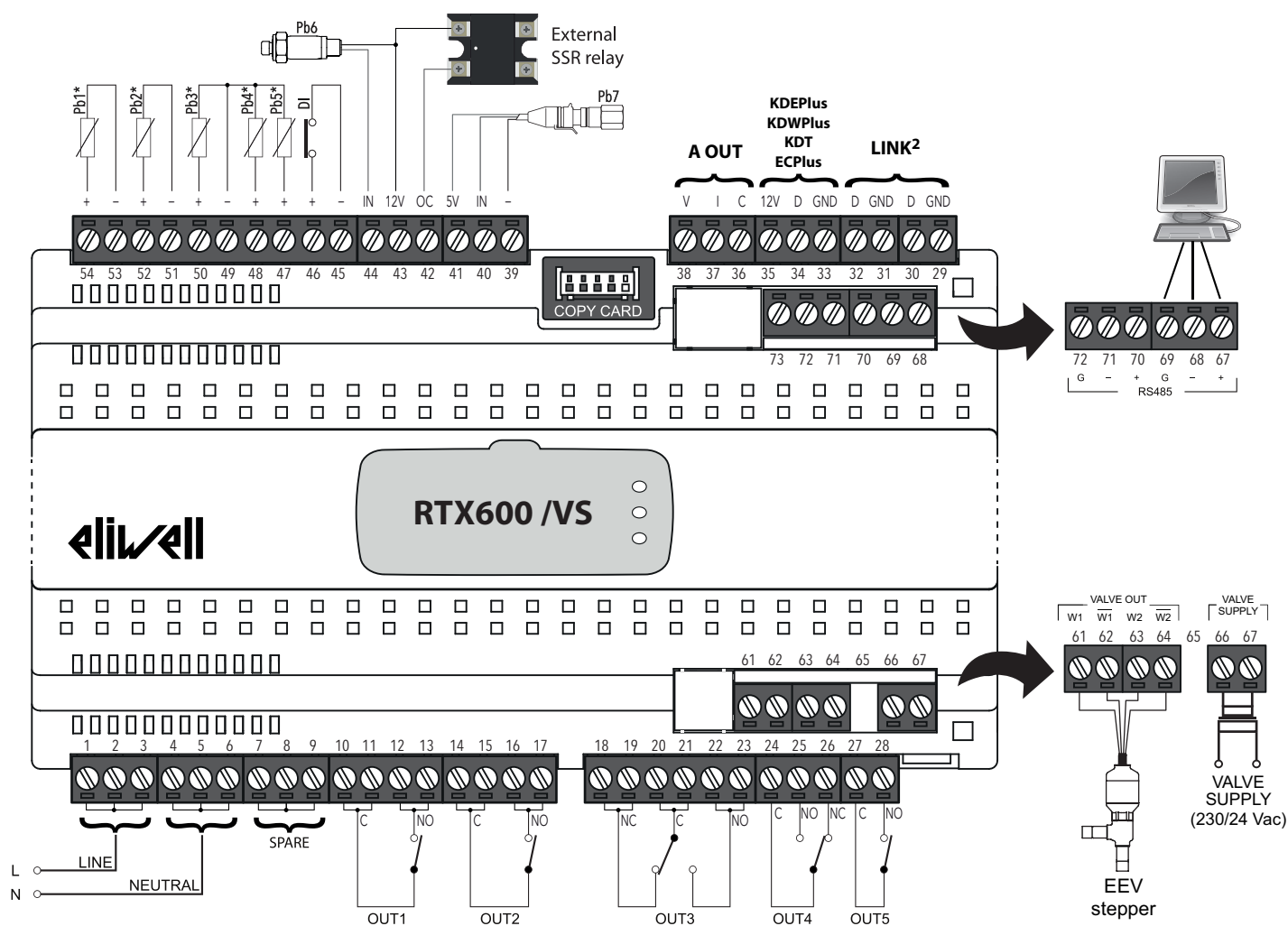
Sicurezza Alimentare:	Il dispositivo è conforme alla Norma EN13485 come segue: <ul style="list-style-type: none">- idoneo alla conservazione- applicazione: aria- ambiente climatico: A- classe di misura 1 nel range -25...15 °C (-13...59 °F) (*) (*esclusivamente utilizzando sonde Eliwell)
-----------------------	--

Altro

Durata RTC:	in assenza di alimentazione esterna, l'orologio verrà mantenuto per 4 giorni
-------------	--

NOTA: Le caratteristiche tecniche inerenti la misura (range, accuratezza, risoluzione, ecc.) si riferiscono al dispositivo in senso stretto e non ad eventuali accessori in dotazione (ad esempio sonde).

SCHEMA CONNESSIONI



* Gli ingressi analogici Pb1...Pb5 possono essere configurati anche come Ingressi Digitali (DI).

MORSETTI

1-2-3	(LINE) Linea alimentazione	29-30	LINK ² . Connessione 1 - rete locale
4-5-6	(NEUTRAL) Neutro alimentazione	31-32	LINK ² . Connessione 2 - rete locale
7-8-9	(SPARE) Morsetti di appoggio non collegati internamente	33-34-35	Connessione con la tastiera KDEPlus o KDWPlus o KDT o con il modulo ECPlus
10-11	(C) Morsetto Comune OUT1	36-38	A OUT. Uscita analogica in tensione (0...10 V)
12-13	(NO) Normalmente Aperto OUT1	36-37	A OUT. Uscita analogica in corrente (4...20 mA)
14-15	(C) Morsetto Comune OUT2	Copy Card	TTL connessione UNICARD/DMI/Multi Function Key
16-17	(NO) Normalmente Aperto OUT2	39-40-41	Connessione sonda Pb7 (sonda raziometrica)
18-19	(NC) Normalmente Chiuso OUT3	43-42	Uscita Open Collector (OC). Per il collegamento di un relè SSR esterno.
20-21	(C) Morsetto Comune OUT3	43-44	Connessione sonda Pb6 (sonda di pressione)
22-23	(NO) Normalmente Aperto OUT3	45-46	Ingresso digitale (DI)
24	(C) Morsetto Comune OUT4	49-47	Connessione sonda Pb5
25	(NO) Normalmente Aperto OUT4	49-48	Connessione sonda Pb4
26	(NC) Normalmente Chiuso OUT4	49-50	Connessione sonda Pb3
27	(C) Morsetto Comune OUT5	51-52	Connessione sonda Pb2
28	(NO) Normalmente Aperto OUT5	53-54	Connessione sonda Pb1
61-62	Morsetti W1 per connessione primo avvolgimento valvola stepper	68-69-70	RS485. Connessione 1 - Gateway di supervisione
63-64	Morsetti W2 per connessione secondo avvolgimento valvola stepper	71-72-73	RS485. Connessione 2 - Gateway di supervisione
65	Non montato		
66-67	Alimentazione esterna valvola EEV Stepper (24 Vac)		

⚠ ⚠ PERICOLO

UN CABLAGGIO ALLENTATO PROVOCA FOLGORAZIONE ELETTRICA

Serrare le connessioni in conformità con le specifiche tecniche relative alle coppie.

Il mancato rispetto di queste istruzioni provocherà morte o gravi infortuni.

La tabella seguente mostra il tipo e la dimensione dei cavi per morsetti sconnettibili con passo **5,00 mm** (0,197 in.) o **5,08 mm** (0,2 in.).

$\frac{\text{mm}}{\text{in.}}$ 7 0.28								
mm²	0.2...2.5	0.2...2.5	0.25...2.5	0.25...2.5	2 x 0.2...1	2 x 0.2...1.5	2 x 0.25...1	2 x 0.5...1.5
AWG	24...13	24...13	22...13	22...13	2 x 24...18	2 x 24...16	2 x 22...18	2 x 20...16

		N•m	0.5...0.6
Ø 3.5 mm (0.14 in.)		lb-in	4.42...5.31

APPLICAZIONI PREDEFINITE

DESCRIZIONE APPLICAZIONI

AP1: banco - sbrinamento resistivo.

AP2: cella - sbrinamento resistivo.

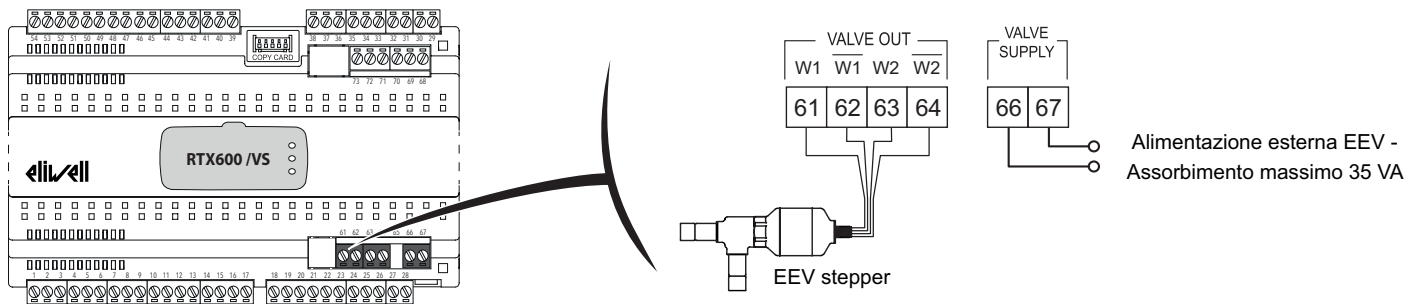
AP3 ... AP8: banco - sbrinamento resistivo.

FUNZIONE / APPLICAZIONE		AP1	AP2	AP3 ... AP8
INGRESSI				
Pb1	NTC	REG1 /	REG1 /	REG1 /
Pb2	NTC			
Pb3	NTC	/	/	/
Pb4	NTC	/	/	/
Pb5	NTC	EEV	EEV	EEV
DI	par. H18	/		/
Pb6	4...20 mA - par. H16	EEV	EEV	EEV
Pb7	Raziometrico	/	/	/
USCITE				
OUT1	relè			
OUT2	relè			
OUT3	relè			
OUT4	relè			
OUT5	relè			
EEV	uscita	EEV	EEV	EEV
A OUT	uscita	/	/	/
OC	uscita	/	/	/

VALVOLA ESPANSIONE ELETTRONICA (EEV)

Il dispositivo è predisposto per la gestione di valvole "Stepper" con comando bipolare.

Lo schema di connessione è il seguente:



Alimentazione esterna EEV -
Assorbimento massimo 35 VA

Prima di collegare la valvola, configurare accuratamente l' RTX 600 /VS selezionando il tipo di valvola dall'elenco delle valvole pilotabili.

⚠ AVVERTIMENTO

FUNZIONAMENTO ANOMALO DELL'APPARECCHIATURA DOVUTO A COLLEGAMENTO

Verificare le informazioni sui parametri della valvola dichiarate dal costruttore prima di utilizzare la valvola in configurazione di valvola generica.

Il mancato rispetto di queste istruzioni può provocare morte, gravi infortuni o danni alle apparecchiature.

Eliwell Controls srl non risponde dei dati forniti dal costruttore della valvola, incluse modifiche tecniche o aggiornamenti. Consultare il manuale del prodotto ed il manuale della valvola per verificarne l'idoneità e la corretta configurazione.

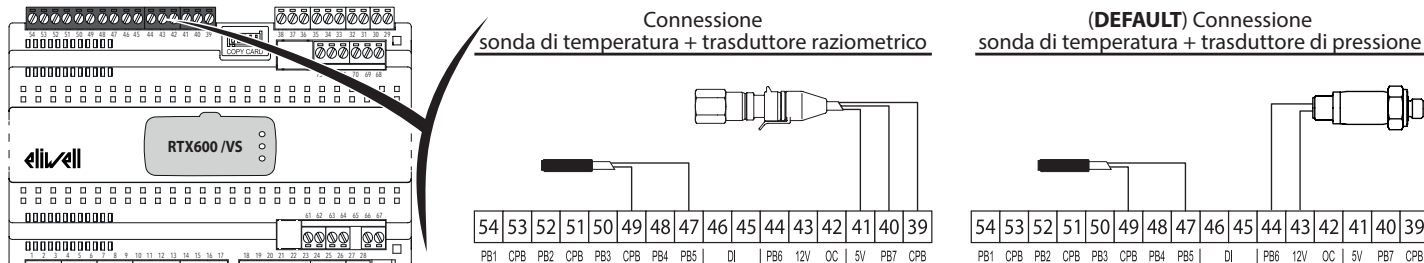
AVVISO

APPARECCHIATURA NON FUNZIONANTE

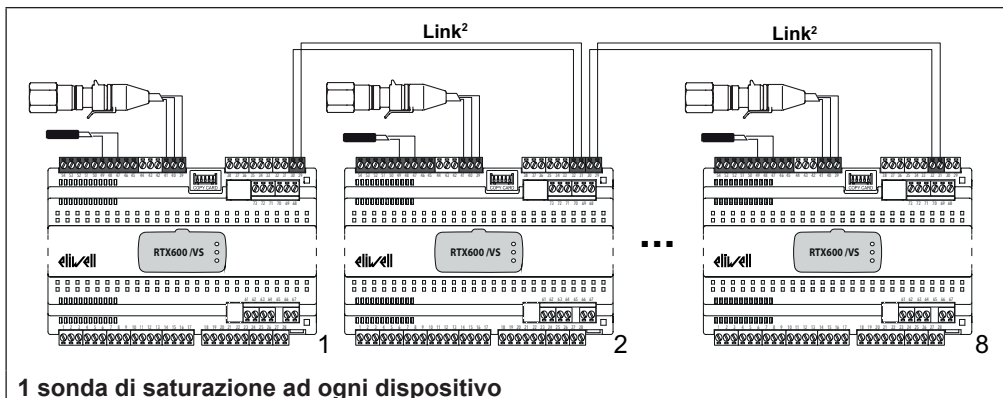
- Prima di applicare l'alimentazione elettrica, verificare tutti i cablaggi.

Il mancato rispetto di queste istruzioni può provocare danni alle apparecchiature.

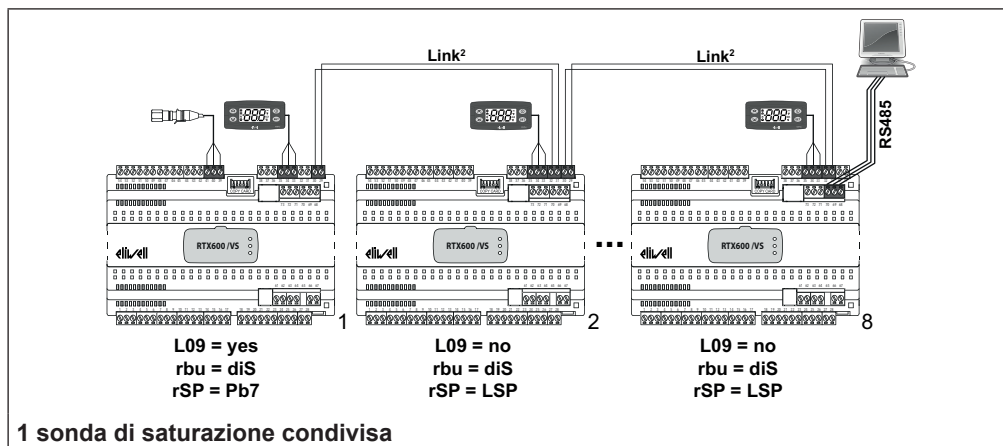
Configurare la sonda di surriscaldamento (rSS - sonda di temperatura NTC/PTC/Pt1000) e quella di saturazione (rSP - trasduttore Raziometrico o trasduttore di pressione 4...20 mA).



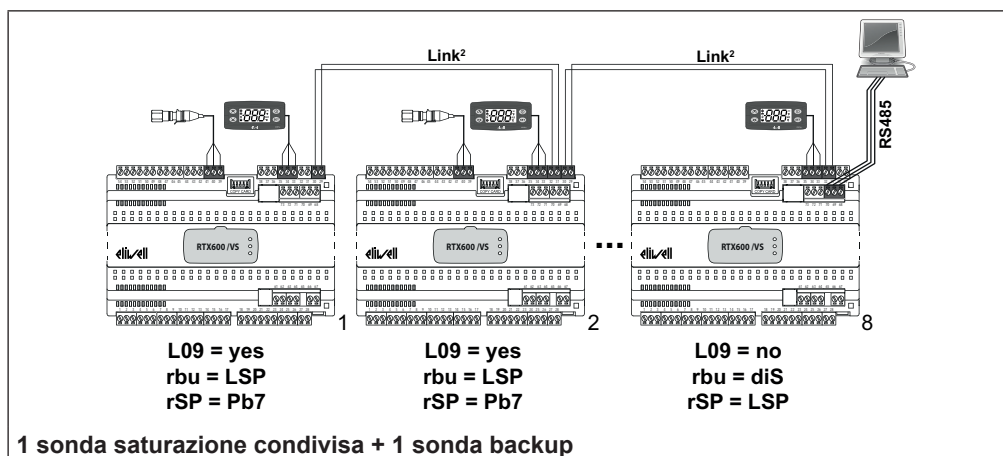
Nella rete è possibile collegare una sonda di saturazione ad ogni dispositivo (max 8 dispositivi):



Nella rete è possibile condividere una sola sonda di saturazione tra tutti i dispositivi nella rete locale Link² (max 8 dispositivi):

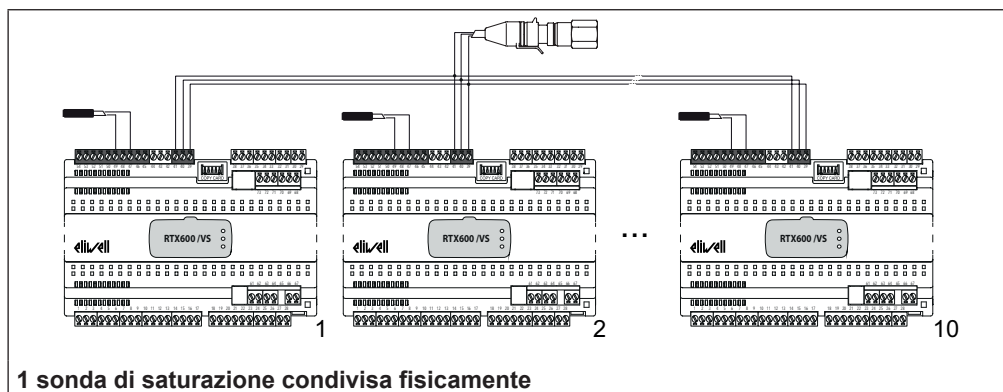


Nella rete è possibile condividere due sonde di saturazione tra tutti i dispositivi nella rete locale Link² (max 8 dispositivi) di cui una di backup:



Nella rete è possibile condividere fisicamente una sonda di saturazione (su max 10 dispositivi).

NOTA: Solo con sensore raziometrico.



I parametri correlati sono i seguenti:

PAR.	DESCRIZIONE	RANGE	DEFAULT	AP1	AP2	AP3 ... AP8	U.M.
rSP	Seleziona la sonda di saturazione utilizzata:	diS, Pb6, Pb7, LSP, rP	Pb6	Pb6 (DEFAULT)			num
rSS	Seleziona la sonda di surriscaldamento utilizzata:	diS, Pb1...Pb5	Pb5	Pb5 (DEFAULT)			num
EPd	Modalità visualizzazione valore saturazione.	t/P	t	t (DEFAULT)			num
Ert	Seleziona il tipo di refrigerante utilizzato.	404, r22, 410, 134, 744, 507, 717, 290, PAR, 407, 448, 449, 450, 513	410	410 (DEFAULT)			num
trA	Seleziona il modello di sonda raziometrica usato.	USE, rA1...rA8	USE	USE (DEFAULT)			num
H00	Seleziona il tipo di sonde di temperatura collegate a Pb1...Pb5.	ntc, Ptc, Pt1	ntc	ntc	ntc	ntc	num
OLt	Imposta la soglia di surriscaldamento minima.	0,0...100,0	5,0	5,0 (DEFAULT)			°C/°F

RETE LOCALI E DI SUPERVISIONE

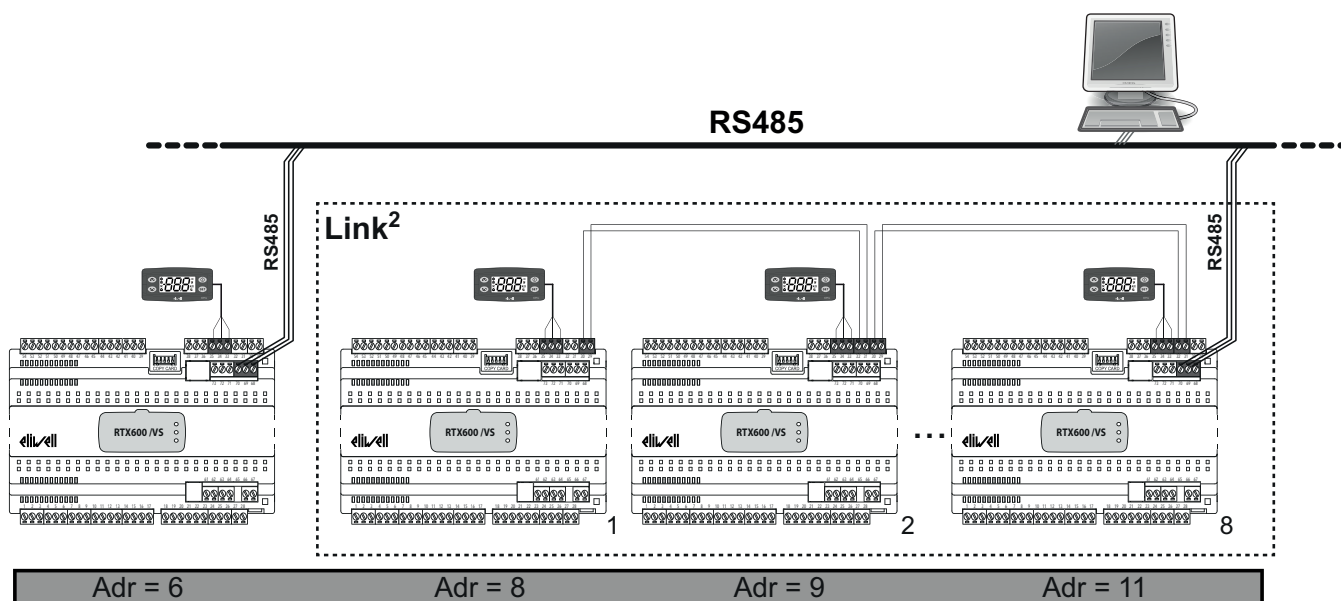
È possibile collegare fino a un massimo di 8 strumenti **RTX 600 /VS** in una rete locale Link² e connettere solo un dispositivo alla rete di supervisione Modbus, il quale fungerà da gateway per gli altri dispositivi collegati alla rete locale.

La configurazione della Link² avviene utilizzando gli stessi indirizzi del sistema di supervisione.

Non c'è alcuna limitazione sugli indirizzi (si possono avere anche valori non consecutivi) e ci sarà un dispositivo Master.

Ogni dispositivo renderà disponibile alla rete l'informazione del numero di dispositivi connessi alla rete locale.

Un esempio di connessione Link² + Rete di supervisione è il seguente:



I parametri correlati sono i seguenti:

PAR.	DESCRIZIONE	RANGE	DEFAULT	AP1	AP2	AP3 ... AP8	U.M.
L00	Seleziona quale sonda condividere.	diS, Pb1...Pb5, Pbi, PFi	diS	diS	diS	diS	num
L01	Condivide con la rete LAN il valore visualizzato.	0/1/2	0	0	0	0	num
L02	Invia alla rete LAN il valore del Setpoint quando viene modificato.	no/yES	no	no	no	no	flag
L03	Abilita l'invio alla rete LAN della richiesta di sbrinamento.	0/1/2	0	0	0	0	flag
L04	Modalità di fine sbrinamento.	ind/dEP	ind	ind	ind	ind	flag
L05	Abilita la sincronizzazione del comando Stand-by.	no/yES	no	no	no	no	flag
L06	Abilita la sincronizzazione del comando luci.	no/yES	no	no	no	no	flag
L07	Abilita la sincronizzazione del comando Energy Saving.	no/yES	no	no	no	no	flag
L08	Abilita la sincronizzazione del comando AUX.	no/yES	no	no	no	no	flag
L09	Abilita la condivisione della sonda di saturazione (pressione).	no/yES	no	no	no	no	flag
L10	Imposta il timeout di attesa di fine degli sbrinamenti dipendenti.	0...250	30	30	30	30	min
L11	Imposta il numero di dispositivi connessi in LAN per allarmi.	0...8	0	0	0	0	num
L12	Imposta come condividere gli allarmi.	0/1/2	0	0	0	0	num

DEVICE MANAGER

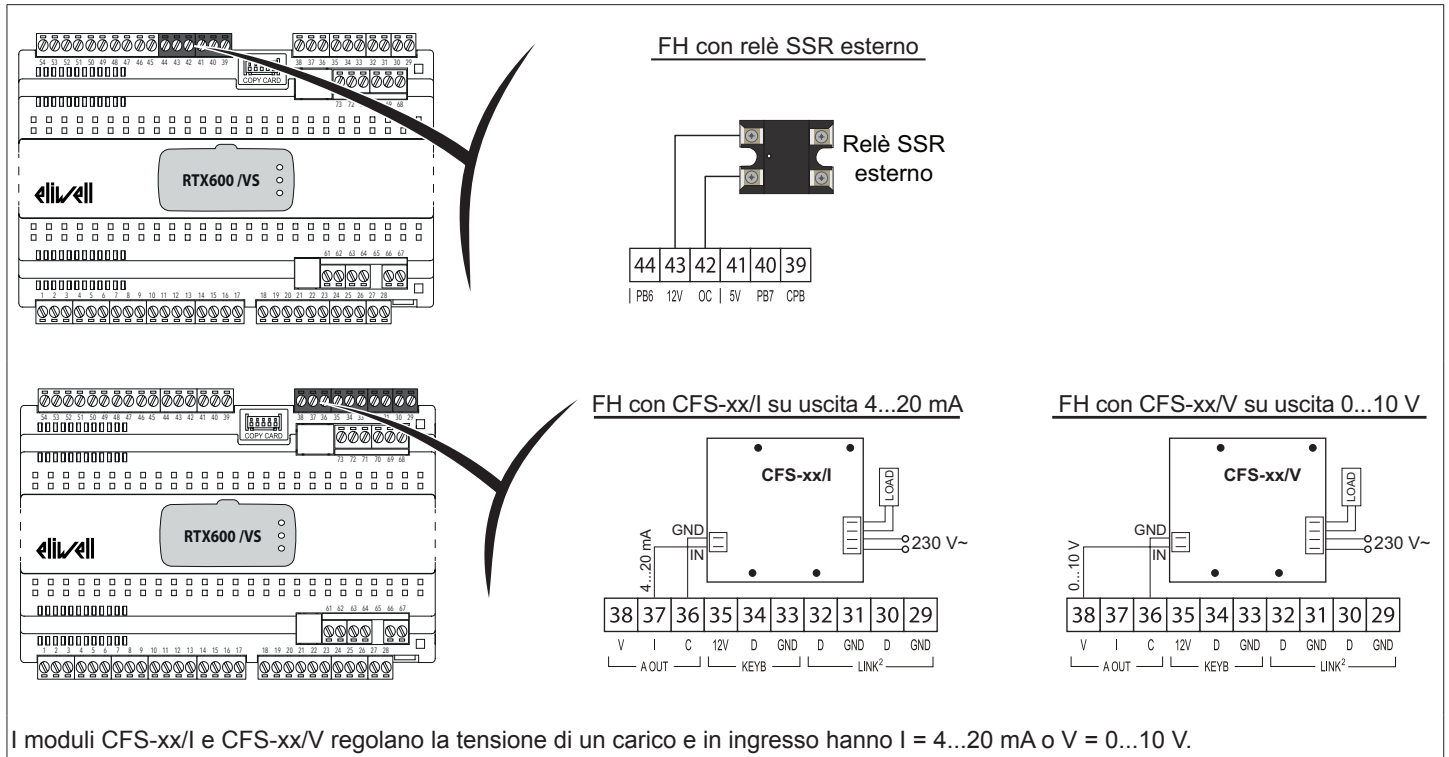
L'**RTX 600 /VS** può interfacciarsi con il software "Device Manager" mediante l'interfaccia DMI.

Tale connessione permette la gestione a PC del valore/visibilità dei parametri fissi e di quelli presenti nei vettori.

La connessione avviene direttamente sul dispositivo come nel caso dell'UNICARD.

FRAME HEATER (FH)

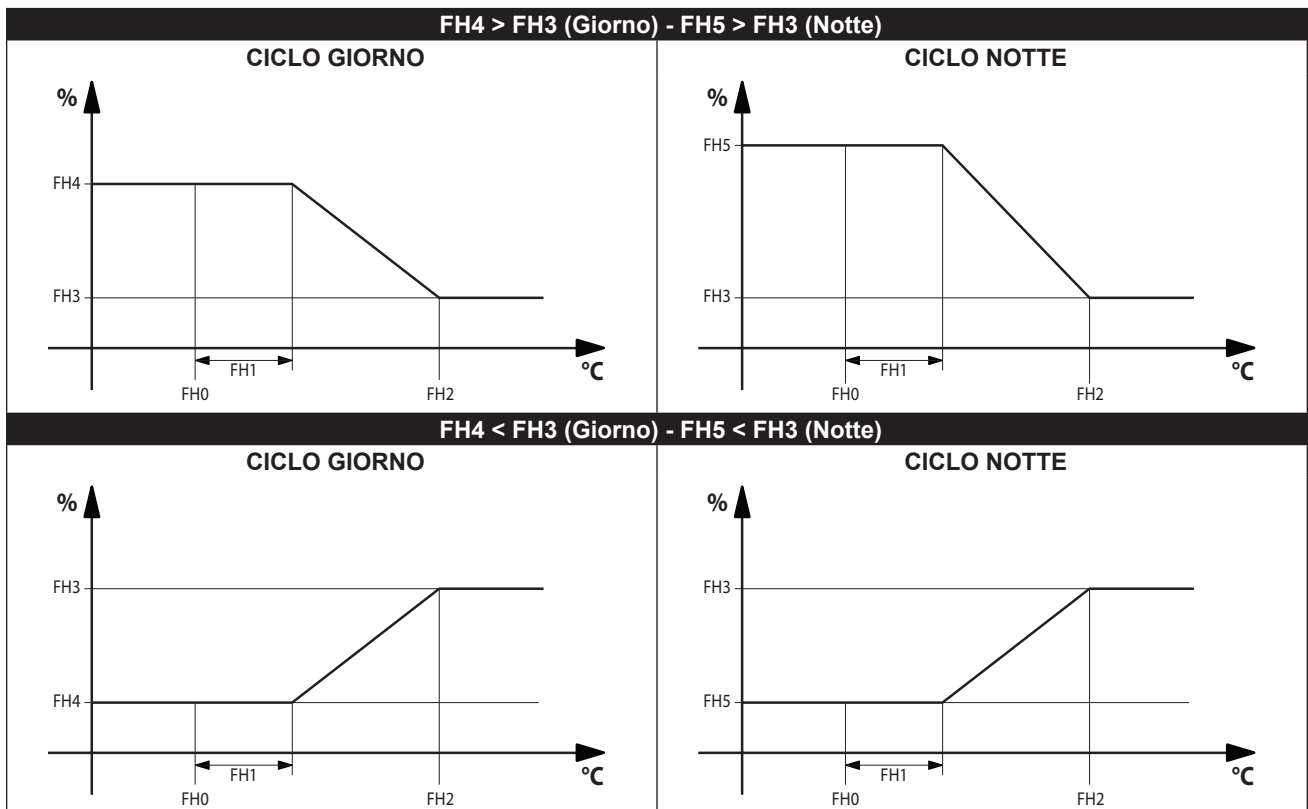
Questo regolatore permette di attivare le resistenze anticondensa (Frame Heaters) di una vetrina o di un banco frigo. Il dispositivo permette di pilotare un relè SSR esterno mediante l'uscita Open Collector oppure un modulo esterno con ingresso analogico (0...10 V, 4...20 mA). Di seguito gli esempi di connessione:



La regolazione potrà essere:

1. A Duty Cycle fisso (solo se **FH** = dc)
2. Proporzionale alla temperatura
3. Proporzionale alla differenza tra la temperatura e il punto di rugiada (DewPoint) da remoto

Il punto **1** prevede una percentuale di attuazione fissa in base ai parametri **FH4** (Giorno), **FH5** (Notte) e **FH6** (Giorno e Notte). Per i punti **2** e **3**, la regolazione è proporzionale al valore di temperatura letto dalla sonda configurata: Pb1, Pb2, Pb3, Pb4, Pb5, Pbi o PFi (vedere parametro **FH**). Il valore dell'uscita dipende dal valore assunto dalla sonda secondo i grafici seguenti:



La modulazione dell'uscita è funzione del valore di DewPoint (ambiente) impostato con il parametro **FH0**.

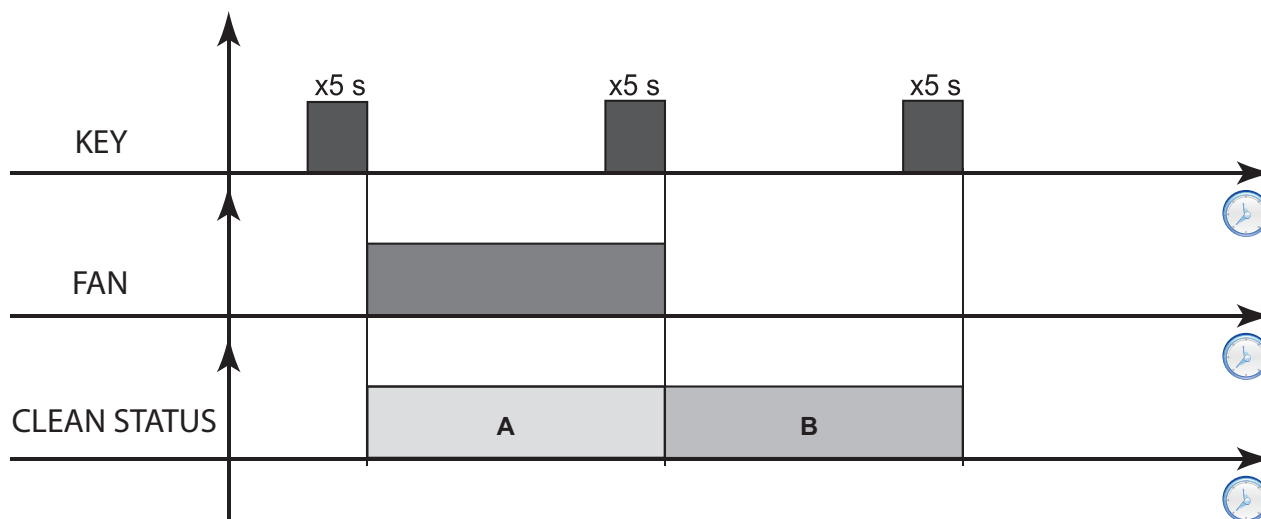
I parametri correlati sono i seguenti:

PAR.	DESCRIZIONE	RANGE	DEFAULT	AP1	AP2	AP3 ... AP8	U.M.
FH	Seleziona quale sonda verrà utilizzata dalle resistenze anticondensa (Frame Heater - FH)	diS, dc, Pb1...Pb5, Pbi, PFi	diS	diS		diS	num
FHt	Durata periodo di funzionamento delle resistenze anticondensa (FH), usata solo in caso di utilizzo dell'uscita OC con relè SSR.	1...250	30	30		30	sec*10
FH0	Impostazione del Setpoint relativo alle resistenze anticondensa (FH).	-58,0...302	0,0	0,0		0,0	°C/°F
FH1	Impostazione dell'Offset relativo alle resistenze anticondensa (FH).	0,0...25,0	0,0	0,0		0,0	°C/°F
FH2	Impostazione della Banda relativa alle resistenze anticondensa (FH).	-58,0...302	0,0	0,0		0,0	°C/°F
FH3	Impostazione della Percentuale minima delle resistenze anticondensa (FH).	0...100	0	0		0	%
FH4	Impostazione della Percentuale massima del Duty Cycle giorno.	0...100	75	75		75	%
FH5	Impostazione della Percentuale massima del Duty Cycle notte.	0...100	50	50		50	%
FH6	Impostazione della Percentuale durante lo sbrinamento.	0...100	100	100		100	%

FUNZIONE PULIZIA DEL BANCO (CLEANING FUNCTION)

Questa funzione serve per la manutenzione del banco e implementa una macchina a 2 stati:

- attivazione della funzione
- avanzamento degli stati premendo il tasto associato (H3x = 9).



Durante il normale funzionamento avremo che:

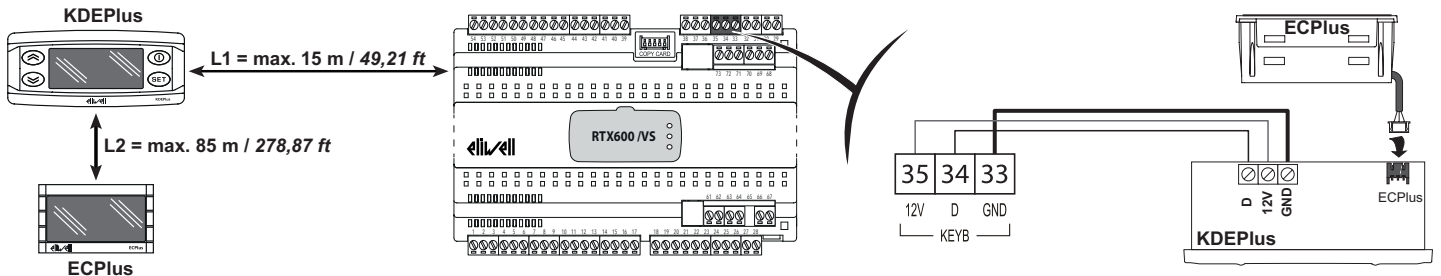
- La pressione del tasto associato (**KEY**) fa entrare in modalità "Stato pulizia 1" (**A**) dove avremo:
 - Ventole accese e tutti gli altri carichi disattivati
 - Icona ventole (**FAN**) acceso
 - Display che visualizza la label **CLn**
- Una seconda pressione del tasto associato (**KEY**) fa passare in modalità "Stato pulizia 2" (**B**) dove avremo:
 - Tutti i carichi disattivati
 - Display che visualizza la label **CLn**
- Una terza pressione del tasto associato (**KEY**) fa uscire dalla funzione di pulizia del banco (Cleaning function) e fa ripartire il normale funzionamento

In caso di mancanza di alimentazione, alla riaccensione il dispositivo riparte in funzionamento normale (la funzione viene cancellata).

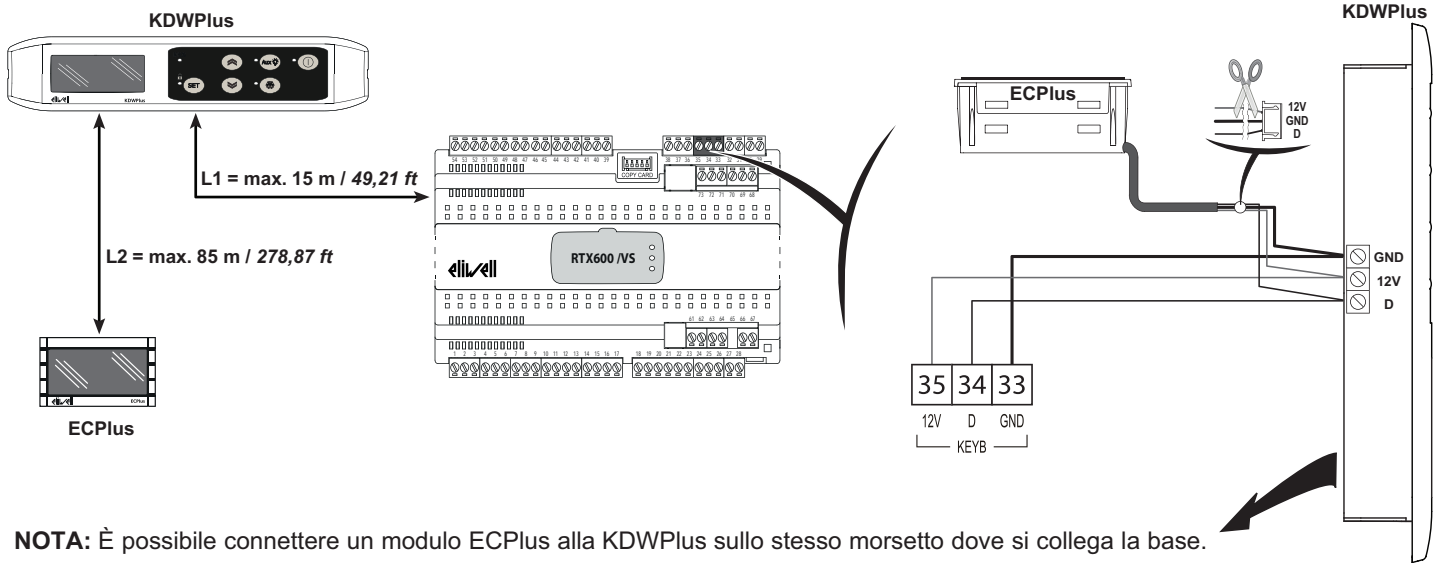
CONNESSIONI CON TERMINALE UTENTE E DISPLAY REMOTO

Ad ogni RTX 600 /VS può essere connessa una sola tastiera KDEPlus, KDWPlus o KDT e eventualmente un visualizzatore ECPlus per la visualizzazione remota, tramite opportuno connettore presente sulla tastiera.

CONNESSIONE RTX 600 /VS + KDEPlus + ECPlus

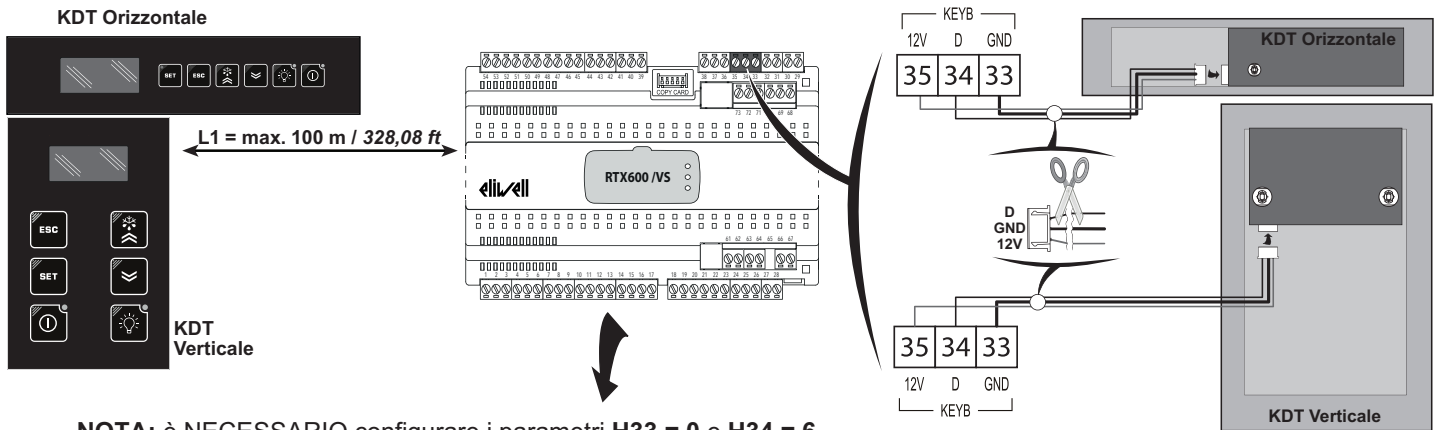


CONNESSIONE RTX 600 /VS + KDWPlus + ECPlus



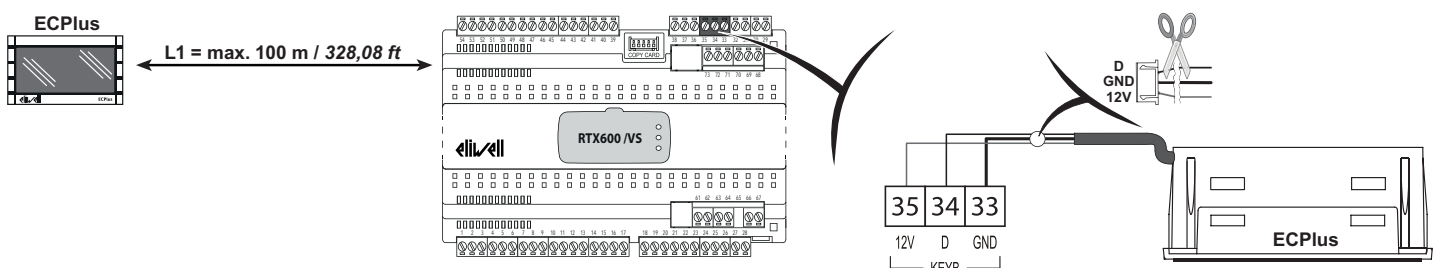
NOTA: È possibile connettere un modulo ECPlus alla KDWPlus sullo stesso morsetto dove si collega la base.

CONNESSIONE RTX 600 /VS + KDT

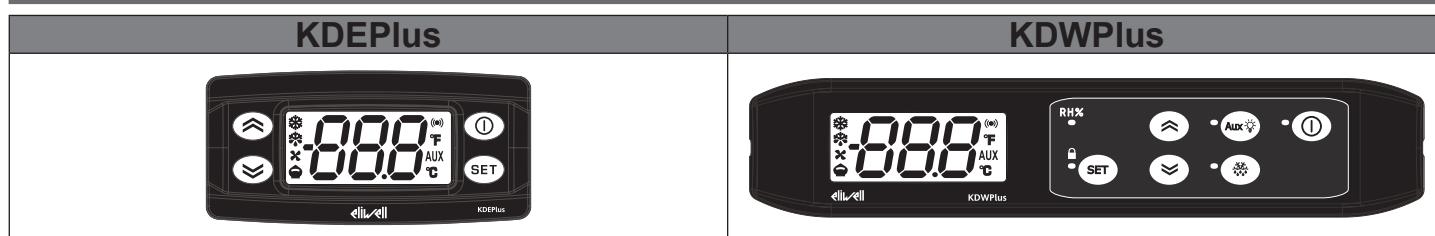


NOTA: è NECESSARIO configurare i parametri H33 = 0 e H34 = 6

CONNESSIONE RTX 600 /VS + ECPlus



INTERFACCIA TASTIERE KDEPlus e KDWPlus



TASTI KDEPlus		TASTI KDWPlus	
	UP Premere e rilasciare Scorre le voci del menu Incrementa i valori Premere per almeno 5 sec Attivazione manuale sbrinamento (defrost)		UP Premere e rilasciare Scorre le voci del menu Incrementa i valori
	DOWN Premere e rilasciare Scorre le voci del menu Decrementa i valori		DOWN Premere e rilasciare Scorre le voci del menu Decrementa i valori
	STAND-BY (ESC) Premere e rilasciare Torna su di un livello rispetto al menù corrente Conferma valore parametro Premere per almeno 5 sec Attivazione manuale Stand-by Funzione configurabile dall'utente (par. H33)		STAND-BY (ESC) Premere e rilasciare Torna su di un livello rispetto al menù corrente Conferma valore parametro Premere per almeno 5 sec Attivazione manuale Stand-by Funzione configurabile dall'utente (par. H33)
	SET (ENTER) Premere e rilasciare Visualizza eventuali allarmi (se presenti) Accede al menu Stato Macchina Conferma i comandi Premere per almeno 5 sec Accede al menu di Programmazione		SET (ENTER) Premere e rilasciare Visualizza eventuali allarmi (se presenti) Accede al menu Stato Macchina Conferma i comandi Premere per almeno 5 sec Accede al menu di Programmazione
NOTA: Le 2 tastiere KDEPlus e KDWPlus sono equivalenti.			SBRINAMENTO (ESC) Premere e rilasciare Attivazione manuale sbrinamento (defrost) Torna su di un livello rispetto al menù corrente
			AUX/LUCE Premere e rilasciare Attiva l'uscita AUX / Accende la Luce

ICONE DISPLAY			
	SET Ridotto / Economy Acceso fisso: risparmio energetico attivo Lampeggiante: set ridotto attivo Off: altrimenti		Allarme Acceso fisso: presenza di un allarme Lampeggiante: allarme tacitato Off: altrimenti
	Compressore Acceso fisso: compressore attivo Lampeggiante: ritardo, protezione o attivazione bloccata Off: altrimenti		Sbrinamento (Defrost) Acceso fisso: sbrinamento attivo Lampeggiante: attivazione manuale o da D.I. Off: altrimenti
	Ventole Acceso fisso: ventole attive Off: altrimenti		AUX Acceso fisso: uscita Aux attiva e/o luce accesa Lampeggiante: Ciclo Abbattimento attivo
	°C Acceso fisso: impostazione in °C (dro=0) Off: altrimenti		°F Acceso fisso: impostazione in °F (dro=1) Off: altrimenti

LED (SOLO KDWPlus)			
RH%	Attivazione forzata Ventole (Hxx = 15)		Tastiera bloccata
	Attivazione Relè luce da tasto		Sbrinamento (defrost) attivo
	Dispositivo spento		

CARICAMENTO APPLICAZIONI PREDEFINITE

La procedura per caricare una delle applicazioni predefinite è:

1. All'accensione del dispositivo tenere premuto il tasto **SET**; apparirà la label "AP1".
NOTA: Sulla tastiera **KDT**, entro 30 secondi dalla fine del lamp test, premere un tasto qualsiasi per almeno 1 sec per uscire dalla modalità "stand-by" e poi premere contemporaneamente i tasti **SET** + **↵** per far apparire la label "AP1".
2. Scorrere le varie applicazioni (**AP1 ... AP8**) mediante i tasti **↶** e **↷**.
3. Selezionare l'applicazione voluta mediante il tasto **SET** o annullare l'operazione premendo il tasto **⏻** o per time-out.
4. Se l'operazione è avvenuta con successo, il display visualizzerà "yES", in caso contrario visualizzerà "no".
5. Il dispositivo si riavvia e esegue il lamp test.
6. Dopo alcuni secondi il dispositivo tornerà alla visualizzazione principale.

AVVISO

FUNZIONAMENTO ANOMALO DELL'APPARECCHIATURA

La procedura di caricamento di una delle Applicazioni predefinite, ripristina i valori originari di fabbrica, cioè i default riportati nella tabella parametri, tranne i parametri che non sono presenti all'interno delle applicazioni predefinite **AP1...AP8** (e che sono evidenziati in tabella con uno sfondo grigio) che mantengono il valore impostato precedentemente.

Si perdono quindi tutte le modifiche eventualmente apportate ai parametri di lavoro.

Il mancato rispetto di queste istruzioni può provocare danni alle apparecchiature.

IMPOSTAZIONE DEI PARAMETRI DI DEFAULT

Il dispositivo **RTX 600 /VS** permette di impostare i parametri ai valori di default, caricando una delle applicazione predefinite **AP1...AP8** (vedere paragrafo "CARICAMENTO APPLICAZIONI PREDEFINITE").

PASSWORD

Password **PA1**: consente l'accesso ai parametri "Utente". Di default la password non é abilitata (**PS1=0**).

Password **PA2**: consente l'accesso ai parametri "Installatore". Di default la password é abilitata (**PS2=15**).
(per maggiori dettagli vedere il Manuale Utente scaricabile dal sito Eliwell)

La visibilità di PA2 è:

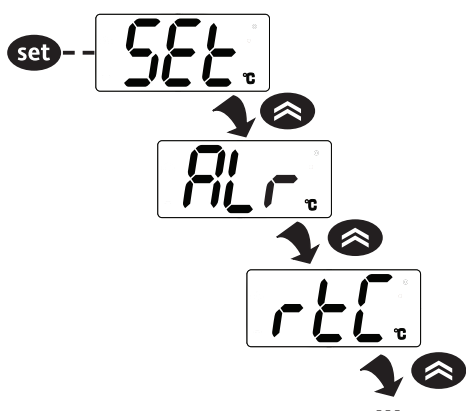
- 1) **PA1≠0 e PA2≠0**: Premendo **SET** per oltre 5 secondi saranno visualizzate le label **PA1** e **PA2**.
Potrà così decidere se accedere ai parametri "Utente" (PA1) o ai parametri "Installatore" (PA2).
- 2) **Altrimenti**: La password **PA2** è presente tra i parametri di livello1 alla fine.
Se abilitata, sarà richiesta per accedere ai parametri "Installatore".

Premere **SET** per inserire la password, cambiare il valore con i tasti **↶** e **↷** e confermare con **SET**.

Se il valore inserito è sbagliato, sarà visualizzata di nuovo la label PA1/PA2. Ripetere la procedura.

MENU "STATO MACCHINA"

Premendo e rilasciando il tasto **SET** è possibile accedere al menu "Stato Macchina". Se non vi sono allarmi in corso verrà visualizzata la label "SET". Agendo sui tasti **↶** e **↷** si possono scorrere tutte le cartelle del menu:



- **SET**: impostazione Setpoint
- **ALr**: cartella allarmi
- **rtC**: cartella parametri orologio - contiene:
 - dAy: giorno della settimana
 - h: ora
 - ': minuti
- **Pb1...Pb7**: valore sonde Pb1...Pb7
- **EU0**: cartella parametri valvola EEV - contiene:
 - PEr: percentuale apertura valvola
 - SHt: surriscaldamento
 - PSA: saturazione (vedi **EPd**)
- **idF**: numero maschera firmware
- **reL**: numero release firmware
- **tAb**: codice mappa
- **LAn**: visualizza quanti strumenti della Link² sono stati riconosciuti (se il dispositivo è fuori rete **LAn = 0**)

Impostare il setpoint: Per visualizzare il valore del Setpoint premere il tasto **SET** quando è visualizzata la label "SET". Il valore del Setpoint appare sul display e l'icona °C inizia a lampeggiare. Per variare il valore del Setpoint agire, entro 15 sec, sui tasti **↶** e **↷**. Per confermare la modifica premere **SET**.

Visualizzare le sonde: Alla presenza delle label Pb1...Pb7, premendo il tasto appare il valore misurato dalla sonda associata (**NOTA:** il valore non è modificabile).

MENU “PROGRAMMAZIONE”

Per entrare nel menu “Programmazione” premere per oltre 5 secondi il tasto **SET**. Se previsto, verrà richiesta una PASSWORD di accesso **PA1** per i parametri “Utente” e **PA2** per i parametri “Installatore” (vedi paragrafo “PASSWORD”).

Parametri “**Utente**”: All’accesso il display visualizzerà il primo parametro (ad esempio “**rE**”). Premere **▲** e **▼** per scorrere tutti i parametri del livello corrente. Selezionare il parametro desiderato premendo **SET**. Premere **▲** e **▼** per modificarlo e **SET** per salvare la modifica.

Parametri “**Installatore**”: All’accesso il display visualizzerà la prima cartella (ad esempio “**CP**”).

(Per l’elenco dei parametri “Installatore” vedere il Manuale Utente scaricabile dal sito www.eliwell.com).

NOTA: Spegnerne e riaccendere il dispositivo ogniqualvolta si modifichi la configurazione dei parametri.

TASTIERA CONDIVISA SU LINK²

Da ogni dispositivo, di una rete Link², è possibile, mediante la tastiera locale, navigare in uno qualsiasi degli altri dispositivi collegati nella Link². Questo menù viene attivato, dal menù di default, mediante la pressione contemporanea dei tasti **▲** e **Ⓜ** per 5 secondi. Quando è attiva la visualizzazione remota, le 2 icone **°C** e **°F** lampeggiano.

Verrà richiesto di inserire l’indirizzo Modbus (**Adr**) del dispositivo remoto.

Per ritornare al menù di default:

- Premere i tasti **▲** e **Ⓜ** per 5 secondi;
- Per time-out, dopo 60 secondi, dall’ultima pressione di un tasto.

Durante la “remotizzazione del display”, la tastiera locale (del dispositivo a cui è stato remotizzato il display) è bloccata.

Lo sblocco avviene dopo 3 secondi dal rilascio della visualizzazione del display.

Se durante la condivisione della tastiera si interrompe il collegamento, il display visualizzerà “---”.

UNICARD / MULTI FUNCTION KEY

La UNICARD/Multi function key (MFK) va connessa alla porta seriale (TTL) e consente la programmazione rapida dei parametri del dispositivo. Accedere ai parametri “Installatore” inserendo PA2, scorrere le cartelle con **▲** e **▼** fino a visualizzare la cartella FPr. Selezionarla con **SET**, scorrere i parametri con **▲** e **▼** e selezionare la funzione con **SET** (ad esempio “**UL**”).

- **Upload (UL):** Con questa operazione si caricano dal dispositivo alla chiavetta i parametri di programmazione. Se l’operazione va a buon fine, il display visualizzerà “**yES**”, altrimenti “**no**”.
- **Format (Fr):** Con questo comando è possibile formattare la UNICARD/MFK (consigliato in caso di primo utilizzo). **NOTA:** l’uso del parametro Fr cancella tutti i dati presenti. L’operazione non è annullabile.
- **Download (dL):** Con questa operazione si caricano dalla chiavetta al dispositivo i parametri di programmazione. Se l’operazione va a buon fine, il display visualizzerà “**dLy**”, altrimenti “**dLn**”.
- **Download:** Collegare la UNICARD/MFK a dispositivo spento. All’accensione il download dei dati dalla UNICARD/MFK al dispositivo partirà in automatico. Dopo il lamp test, il display visualizzerà “**dLy**” per operazione eseguita e “**dLn**” per operazione non riuscita.

NOTA: Dopo il download, il dispositivo funzionerà con le impostazioni della nuova mappa appena caricata.

BOOT LOADER FIRMWARE

Il dispositivo è dotato di Boot Loader, per cui è possibile aggiornare il Firmware direttamente sul campo.

L’aggiornamento può avvenire mediante UNICARD o MULTI FUNCTION KEY (MFK).

Per eseguire l’aggiornamento:

- Collegare la UNICARD/MFK dotata di applicativo (la connessione può avvenire anche a dispositivo alimentato)
- Alimentare il dispositivo, se spento, altrimenti spegnerlo e riaccenderlo
- Attendere finché il LED, della UNICARD/MFK, lampeggia (operazione in corso);
- L’operazione sarà conclusa quando il LED, della UNICARD/MFK, sarà:
 - **ACCESO:** operazione conclusa correttamente;
 - **SPENTO:** operazione non eseguita (applicativo non compatibile ...)

OROLOGIO (RTC)

Mediante l’orologio è possibile impostare gli orari di sbrinamento (6 fasce per i giorni feriali e 6 fasce per i giorni festivi), lo sbrinamento periodico (ogni **n** giorni) e gli eventi giornalieri (1 evento per i giorni feriali e 1 evento per i giorni festivi).

Gli sbrinamenti a fasce orarie e lo sbrinamento periodico funzionano in modo mutualmente esclusivo (non funzionano contemporaneamente). Qualora sia attivato lo sbrinamento mediante RTC, e l’orologio non funziona (etichetta **E10**), lo sbrinamento funzionerà mediante la modalità associata a **dit**.

DIAGNOSTICA

La condizione di allarme viene sempre segnalata tramite il buzzer (se presente) e dall’icona allarme (☹).

Per spegnere il buzzer, premere e rilasciare un tasto qualsiasi, l’icona relativa continuerà a lampeggiare.

Se sono in corso tempi di esclusione allarme (cartella “AL” della Tabella Parametri), l’allarme non viene segnalato.

TABELLA "ALLARMI"

Label	Descrizione	Causa	Effetti	Risoluzione Problema
E1	Errore sonda Pb1	<ul style="list-style-type: none"> lettura di valori al di fuori del range di funzionamento sonda non funzionante/in corto/aperta 	<ul style="list-style-type: none"> visualizzazione label E1 icona Allarme Fissa 	<ul style="list-style-type: none"> controllare il tipo di sonda (H00) controllare il cablaggio delle sonde sostituire la sonda
E2	Errore sonda Pb2	<ul style="list-style-type: none"> lettura di valori al di fuori del range di funzionamento sonda non funzionante/in corto/aperta 	<ul style="list-style-type: none"> visualizzazione label E2 icona Allarme Fissa 	<ul style="list-style-type: none"> controllare il tipo di sonda (H00) controllare il cablaggio delle sonde sostituire la sonda
E3	Errore sonda Pb3	<ul style="list-style-type: none"> lettura di valori al di fuori del range di funzionamento sonda non funzionante/in corto/aperta 	<ul style="list-style-type: none"> visualizzazione label E3 icona Allarme Fissa 	<ul style="list-style-type: none"> controllare il tipo di sonda (H00) controllare il cablaggio delle sonde sostituire la sonda
E4	Errore sonda Pb4	<ul style="list-style-type: none"> lettura di valori al di fuori del range di funzionamento sonda non funzionante/in corto/aperta 	<ul style="list-style-type: none"> visualizzazione label E4 icona Allarme Fissa 	<ul style="list-style-type: none"> controllare il tipo di sonda (H00) controllare il cablaggio delle sonde sostituire la sonda
E5	Errore sonda Pb5	<ul style="list-style-type: none"> lettura di valori al di fuori del range di funzionamento sonda non funzionante/in corto/aperta 	<ul style="list-style-type: none"> visualizzazione label E5 icona Allarme Fissa 	<ul style="list-style-type: none"> controllare il tipo di sonda (H00) controllare il cablaggio delle sonde sostituire la sonda
E6	Errore sonda Pb6 (4...20 mA)	<ul style="list-style-type: none"> lettura di valori al di fuori del range di funzionamento sonda non funzionante/in corto/aperta 	<ul style="list-style-type: none"> visualizzazione label E6 icona Allarme Fissa 	<ul style="list-style-type: none"> controllare il tipo di sonda controllare il cablaggio delle sonde sostituire la sonda
E7	Errore sonda Pb7 (raziometrica)	<ul style="list-style-type: none"> lettura di valori al di fuori del range di funzionamento sonda non funzionante/in corto/aperta 	<ul style="list-style-type: none"> visualizzazione label E7 icona Allarme Fissa 	<ul style="list-style-type: none"> controllare il tipo di sonda (trA) controllare il cablaggio delle sonde sostituire la sonda
EL	Errore sonda LINK ²	<ul style="list-style-type: none"> lettura di valori al di fuori del range di funzionamento sonda non funzionante/in corto/aperta 	<ul style="list-style-type: none"> visualizzazione label EL icona Allarme Fissa 	<ul style="list-style-type: none"> controllare il tipo di sonda controllare il cablaggio delle sonde sostituire la sonda
Ei	Errore sonda VIRTUALE	<ul style="list-style-type: none"> lettura di valori al di fuori del range di funzionamento sonda non funzionante/in corto/aperta 	<ul style="list-style-type: none"> visualizzazione label Ei icona Allarme Fissa 	<ul style="list-style-type: none"> controllare il tipo di sonda controllare il cablaggio delle sonde sostituire la sonda
AH1	Allarme di ALTA Temperatura 1	Valore letto dalla sonda 1 > HA1 dopo un tempo pari a tA1 .	<ul style="list-style-type: none"> registrazione label AH1 nella cartella ALr nessun effetto sulla regolazione 	Attendere il rientro del valore letto dalla sonda selezionata con ra1 al di sotto di HA1-AFd .
AL1	Allarme di BASSA Temperatura 1	Valore letto dalla sonda 1 < LA1 dopo un tempo pari a tA1 .	<ul style="list-style-type: none"> registrazione label AL1 nella cartella ALr nessun effetto sulla regolazione 	Attendere il rientro del valore letto dalla sonda selezionata con ra1 al di sopra di LA1+AFd .
AH2	Allarme di ALTA Temperatura 2	Valore letto dalla sonda 2 > HA2 dopo un tempo pari a tA2 .	<ul style="list-style-type: none"> registrazione label AH2 nella cartella ALr nessun effetto sulla regolazione 	Attendere il rientro del valore letto dalla sonda selezionata con ra2 al di sotto di HA2-AFd .
AL2	Allarme di BASSA Temperatura 2	Valore letto dalla sonda 2 < LA2 dopo un tempo pari a tA2 .	<ul style="list-style-type: none"> registrazione label AL2 nella cartella ALr nessun effetto sulla regolazione 	Attendere il rientro del valore letto dalla sonda selezionata con ra2 al di sopra di LA2+AFd .
EA	Allarme esterno	Attivazione dell'ingresso digitale	<ul style="list-style-type: none"> registrazione label EA nella cartella ALr icona Allarme fissa blocco della regolazione come richiesto da EAL 	Verificare e rimuovere la causa esterna che ha provocato l'allarme su D.I.
OPd	Allarme porta aperta	Attivazione dell'ingresso digitale (per un tempo maggiore di tdO)	<ul style="list-style-type: none"> registrazione label OPd nella cartella ALr icona Allarme fissa blocco della regolazione come richiesto da dOd 	<ul style="list-style-type: none"> chiudere la porta ritardo segnalazione allarme definita da OAO.
Ad2	Termine sbrinamento per time-out	Fine sbrinamento per tempo anziché per il raggiungimento della temperatura di fine sbrinamento rilevata dalla sonda di controllo dello sbrinamento.	<ul style="list-style-type: none"> registrazione label Ad2 nella cartella ALr icona Allarme fissa 	Attendere lo sbrinamento successivo per rientro automatico
Prr	Allarme preriscaldamento	Allarme regolatore Ingresso preriscaldamento attivo	<ul style="list-style-type: none"> visualizzazione label Prr icona Compressore lampeggiante blocco regolazione (Compressore e Ventole) <p>NOTA: verrà bloccato anche lo sbrinamento se è a inversione di ciclo o a gas caldo</p>	Regolatore ingresso preriscaldamento spento (OFF)
E10	Allarme Orologio	<ul style="list-style-type: none"> batteria dell'orologio (RTC) scarica RTC non funzionante 	<ul style="list-style-type: none"> registrazione label E10 nella cartella ALr funzioni collegate all'orologio non presenti 	Re-impostare l'orario nel menu "Stato Macchina"
E11	Allarme Power-Pack	<ul style="list-style-type: none"> Power-Pack mancante tensione insufficiente (Power-Pack in fase di carica) 	<ul style="list-style-type: none"> registrazione label E11 nella cartella ALr icona Allarme fissa chiusura valvola non garantita 	PER UTENTI ESPERTI (Fare riferimento al manuale utente)
E12	Allarme valvola	<ul style="list-style-type: none"> valvola non connessa correttamente valvola non funzionante 	<ul style="list-style-type: none"> registrazione label E12 nella cartella ALr icona Allarme fissa blocco regolazione 	Controllare la connessione della valvola
E13	Protezione driver valvola attiva	<ul style="list-style-type: none"> connessione valvola non corretta valvola non funzionante rilevata sovracorrente sugli ingressi valvola 	<ul style="list-style-type: none"> registrazione label E13 nella cartella ALr icona Allarme fissa blocco regolazione 	<ul style="list-style-type: none"> controllare connessione valvola controllare che non ci sia un cortocircuito sull'uscita valvola
E14	Allarme assenza comunicazione base-espansione	Allarme comunicazione interno	<ul style="list-style-type: none"> registrazione label E14 nella cartella ALr icona Allarme fissa blocco regolazione 	<ul style="list-style-type: none"> controllare funzionamento comunicazione con supervisione assicurarsi non ci sia nulla di connesso sul connettore della CopyCard

Label	Descrizione	Causa	Effetti	Risoluzione Problema
E15	Allarme Power-Pack	Modulo Power-Pack non funzionante	<ul style="list-style-type: none"> registrazione label E15 nella cartella ALr icona Allarme fissa chiusura valvola non garantita 	PER UTENTI ESPERTI (Fare riferimento al manuale utente)
EEP	Allarme MOP valvola	La temperatura di saturazione ha superato il valore di soglia impostato dal parametro Hot	<ul style="list-style-type: none"> registrazione label EEP nella cartella ALr icona Allarme fissa 	La temperatura ritorna sotto il valore Hot
EEt	Allarme max apertura valvola	La valvola è aperta completamente	<ul style="list-style-type: none"> registrazione label EEt nella cartella ALr icona Allarme fissa 	<ul style="list-style-type: none"> controllare connessione valvola controllare connessione / funzionamento della sonda di surriscaldamento
EES	Errore Sonda di saturazione	<ul style="list-style-type: none"> lettura di valori al di fuori del range di funzionamento sonda non funzionante/in corto/aperta 	<ul style="list-style-type: none"> visualizzazione label EES icona Allarme Fissa 	<ul style="list-style-type: none"> controllare il tipo di sonda (rSP) controllare il cablaggio delle sonde sostituire la sonda

TABELLA PARAMETRI "UTENTE"

NOTE: - per l'elenco completo dei parametri, fare riferimento al manuale utente disponibile sul sito Eliwell.
- i parametri con sfondo grigio (■) non sono nelle applicazioni e non cambiano se viene caricata un'altra applicazione AP1...AP8.

PAR.	DESCRIZIONE	U.M.	RANGE	AP1	AP2	AP3...AP8
COMPRESSORE (CP)						
rP1	Imposta la sonda di regolazione 1. diS (0) = disabilitata; Pb1 (1) = sonda Pb1; Pb2 (2) = sonda Pb2; Pb3 (3) = sonda Pb3; Pb4 (4) = sonda Pb4; Pb5 (5) = sonda Pb5; Pbi (6) = sonda virtuale; LP (7) = sonda remota; Pfi (8) = sonda virtuale filtrata (vedi H74).	num	diS, Pb1...Pb5, Pbi, LP, Pfi	Pb1	Pb1	Pb1
SP1	SEtpoint di regolazione della Temperatura.	°C/°F	LS1...HS1	0,0	0,0	0,0
dF1	Differenziale di intervento (assoluto o relativo). NOTA: dF1 ≠ 0.	°C/°F	-58,0...302	2,0	2,0	2,0
HS1	Valore massimo attribuibile al setpoint SP1. NOTA: I due set sono interdipendenti: HS1 non può essere minore di LS1 e viceversa.	°C/°F	LS1...302	20,0	20,0	20,0
LS1	Valore minimo attribuibile al setpoint SP1. NOTA: I due set sono interdipendenti: LS1 non può essere maggiore di HS1 e viceversa.	°C/°F	-58,0...HS1	-35,0	-35,0	-35,0
Ont	Tempo di accensione del regolatore per sonda non funzionante. • se Ont = 1 e Oft = 0, il compressore rimane sempre acceso (ON); • se Ont > 0 e Oft > 0, funziona in modalità duty cycle.	min	0...250	3	3	3
Oft	Tempo di spegnimento del regolatore per sonda non funzionante. • se Oft = 1 e Ont = 0, il compressore rimane sempre spento (OFF); • se Ont > 0 e Oft > 0, funziona in modalità duty cycle.	min	0...250	3	3	3
OdO	Tempo di ritardo attivazione uscite dall'accensione del dispositivo o dopo una mancanza di tensione. 0 = non attiva.	min	0...250	0	0	0
SBRINAMENTO (dEF)						
dP1	Imposta la sonda utilizzata dallo sbrinamento 1: diS (0) = disabilitata; Pb1 (1) = sonda Pb1; Pb2 (2) = sonda Pb2; Pb3 (3) = sonda Pb3; Pb4 (4) = sonda Pb4; Pb5 (5) = sonda Pb5; Pbi (6) = sonda virtuale; LP (7) = sonda remota; Pfi (8) = sonda virtuale filtrata (vedi H74).	num	diS, Pb1...Pb5, Pbi, LP, Pfi	Pb2	Pb2	Pb2
dty	Tipo di sbrinamento. 0 = sbrinamento elettrico (mediante resistenze) o sbrinamento ad aria; 1 = sbrinamento ad inversione di ciclo; 2 = sbrinamento a gas caldo per applicazioni plug-in (con compressore a bordo); 3 = sbrinamento a gas caldo per applicazioni gruppo remoto (ad esempio: banchi canalizzati); 4 = sbrinamento elettrico (mediante resistenze) o sbrinamento ad aria con algoritmi di risparmio energetico.	num	0...4	0	0	0
dit	Intervallo di tempo fra l'inizio di due sbrinamenti successivi. 0 = funzione disabilitata (non si esegue MAI lo sbrinamento).	ore	0...250	24	6	24
dCt	Seleziona il modo di conteggio dell'intervallo di sbrinamento: 0 = sbrinamento disabilitato; 1 = ore di funzionamento compressore (metodo DIGIFROST®); sbrinamento attivo SOLO a compressore acceso; NOTA: il tempo di funzionamento del compressore e conteggiato indipendentemente dalla sonda evaporatore (conteggio attivo anche se la sonda evaporatore è assente o non funzionante). 2 = ore di funzionamento apparecchio; Il conteggio dello sbrinamento é sempre attivo a macchina accesa e inizia ad ogni power-on; 3 = fermata compressore. Ad ogni fermata del compressore si effettua un ciclo di sbrinamento in funzione del parametro dTY; 4 = RTC; 5 = temperatura.	num	0...5	4	2	4
dE1	Time-out sbrinamento 1° Evaporatore; determina la durata massima dello sbrinamento.	min	1...250	30	30	30
dS1	Temp. di fine sbrinamento 1 (determinata dalla sonda 1° evaporatore) (solo se dP1 ≠ diS).	°C/°F	-58,0...302	7,0	7,0	7,0
dSS	Soglia temperatura di inizio sbrinamento (solo se dCt = 5).	°C/°F	-58,0...302	-5,0	-5,0	-5,0
dPO	Determina se all'accensione il dispositivo entra in sbrinamento (sempre che la temperatura misurata sull'evaporatore lo permetta). no (0) = no, non sbrina all'accensione; yES (1) = si, sbrina all'accensione.	flag	no/yES	no	no	no
dPH	Orario inizio sbrinamento periodico (solo se dCt = 4). 0...23 = ora di inizio; 24 = disabilitato.	ore	0...24	24	24	24

NOTE: - per l'elenco completo dei parametri, fare riferimento al manuale utente disponibile sul sito Eliwell.
 - i parametri con sfondo grigio (■) non sono nelle applicazioni e non cambiano se viene caricata un'altra applicazione AP1...AP8.

PAR.	DESCRIZIONE	U.M.	RANGE	AP1	AP2	AP3...AP8
dPn	Minuti inizio sbrinamento periodico (solo se dCt = 4).	min	0...59	0	0	0
dPd	Intervallo tra uno sbrinamento e il successivo (funzionamento periodico) (solo se dCt=4).	giorni	1...7	1	1	1
Fd1	1° giorno festivo (solo se dCt = 4). 0...6 = giorno di inizio; 7 = disabilitato.	giorni	0...7	7	7	7
Fd2	2° giorno festivo (solo se dCt = 4). 0...6 = giorno di inizio; 7 = disabilitato.	giorni	0...7	7	7	7
d1H	Ora inizio 1° sbrinamento feriale (solo se dCt = 4). 0...23 = ora di inizio; 24 = disabilitato.	ore	0...24	0	0	0
d1n	Minuti inizio 1° sbrinamento feriale (solo se dCt = 4).	min	0...59	0	0	0
d2H	Ora inizio 2° sbrinamento feriale (solo se dCt = 4). d1H...23 = ora di inizio; 24 = disabilitato.	ore	d1H...24	6	24	6
d2n	Minuti inizio 2° sbrinamento feriale (solo se dCt = 4).	min	0...59	0	0	0
d3H	Ora inizio 3° sbrinamento feriale (solo se dCt = 4). d2H...23 = ora di inizio; 24 = disabilitato.	ore	d2H...24	12	24	12
d3n	Minuti inizio 3° sbrinamento feriale (solo se dCt = 4).	min	0...59	0	0	0
d4H	Ora inizio 4° sbrinamento feriale (solo se dCt = 4). d3H...23 = ora di inizio; 24 = disabilitato.	ore	d3H...24	18	24	18
d4n	Minuti inizio 4° sbrinamento feriale (solo se dCt = 4).	min	0...59	0	0	0
d5H	Ora inizio 5° sbrinamento feriale (solo se dCt = 4). d4H...23 = ora di inizio; 24 = disabilitato.	ore	d4H...24	24	24	24
d5n	Minuti inizio 5° sbrinamento feriale (solo se dCt = 4).	min	0...59	0	0	0
d6H	Ora inizio 6° sbrinamento feriale (solo se dCt = 4). d5H...23 = ora di inizio; 24 = disabilitato.	ore	d5H...24	24	24	24
d6n	Minuti inizio 6° sbrinamento feriale (solo se dCt = 4).	min	0...59	0	0	0
F1H	Ora inizio 1° sbrinamento festivo (solo se dCt = 4). 0...23 = ora di inizio; 24 = disabilitato.	ore	0...24	0	24	0
F1n	Minuti inizio 1° sbrinamento festivo (solo se dCt = 4).	min	0...59	0	0	0
F2H	Ora inizio 2° sbrinamento festivo (solo se dCt = 4). F1H...23 = ora di inizio; 24 = disabilitato.	ore	F1H...24	6	24	6
F2n	Minuti inizio 2° sbrinamento festivo (solo se dCt = 4).	min	0...59	0	0	0
F3H	Ora inizio 3° sbrinamento festivo (solo se dCt = 4). F2H...23 = ora di inizio; 24 = disabilitato.	ore	F2H...24	12	24	12
F3n	Minuti inizio 3° sbrinamento festivo (solo se dCt = 4).	min	0...59	0	0	0
F4H	Ora inizio 4° sbrinamento festivo (solo se dCt = 4). F3H...23 = ora di inizio; 24 = disabilitato.	ore	F3H...24	18	24	18
F4n	Minuti inizio 4° sbrinamento festivo (solo se dCt = 4).	min	0...59	0	0	0
F5H	Ora inizio 5° sbrinamento festivo (solo se dCt = 4). F4H...23 = ora di inizio; 24 = disabilitato.	ore	F4H...24	24	24	24
F5n	Minuti inizio 5° sbrinamento festivo (solo se dCt = 4).	min	0...59	0	0	0
F6H	Ora inizio 6° sbrinamento festivo (solo se dCt = 4). F5H...23 = ora di inizio; 24 = disabilitato.	ore	F5H...24	24	24	24
F6n	Minuti inizio 6° sbrinamento festivo (solo se dCt = 4).	min	0...59	0	0	0
VENTOLE (FAn)						
FP1	Imposta la sonda utilizzata dalle ventole evaporatore: diS (0) = disabilitata; Pb1(1) = sonda Pb1; Pb2(2) = sonda Pb2; Pb3(3) = sonda Pb3; Pb4(4) = sonda Pb4; Pb5(5) = sonda Pb5; Pbi (6) = sonda virtuale; LP (7) = sonda remota; PFi (8) = sonda virtuale filtrata (vedi H74).	num	diS, Pb1...Pb5, Pbi, LP, PFi	Pb2	Pb2	Pb2
FSt	Temperatura di blocco ventole; se il valore letto è maggiore di FSt, provoca la fermata delle ventole. Il valore è positivo o negativo (solo se FP1≠dis).	°C/°F	-58,0...302	5,0	5,0	5,0
FAd	Differenziale di intervento attivazione ventole (solo se FP1≠dis).	°C/°F	0,1...25,0	1,0	1,0	1,0
dt	Tempo di sgocciolamento (dripping time).	min	0...250	0	0	0
dFd	Modalità funzionamento ventole evaporatore durante uno sbrinamento. OFF (0) = Ventole Spente; On (1) = Ventole Accese.	flag	OFF/On	On	On	On
FCO	Modalità funzionamento ventole evaporatore. Lo stato delle ventole sarà:					
			GIORNO		NOTTE	
	FP1	FCO	COMPRESSORE ON	COMPRESSORE OFF	COMPRESSORE ON	COMPRESSORE OFF
	sonda funzionante	0	Termostatate	OFF	Termostatate	OFF
		1	Termostatate	Termostatate	Termostatate	Termostatate
		2	Termostatate	Termostatate	Termostatate	Termostatate
		3	Termostatate	duty cycle Giorno	Termostatate	duty cycle Notte
		4	Termostatate	duty cycle Giorno	Termostatate	duty cycle Notte
	sonda non funzionante	0	duty cycle Giorno	OFF	duty cycle Notte	OFF
		1	ON	OFF	ON	OFF
		2	duty cycle Giorno	duty cycle Giorno	duty cycle Notte	duty cycle Notte
		3	duty cycle Giorno	duty cycle Giorno	duty cycle Notte	duty cycle Notte
		4	duty cycle Giorno	duty cycle Giorno	duty cycle Notte	duty cycle Notte
	sonda assente	0	ON	OFF	ON	OFF
		1	ON	ON	ON	ON
		2	duty cycle Giorno	duty cycle Giorno	duty cycle Notte	duty cycle Notte
3		ON	duty cycle Giorno	ON	duty cycle Notte	
4		ON	duty cycle Giorno	ON	duty cycle Notte	
Duty cycle Giorno: gestito tramite i parametri "FOn" e "FOF".						
Duty cycle Notte: gestito tramite i parametri "Fnn" e "FnF".						
FdC	Ritardo spegnimento ventole evaporatore dopo la disattivazione del compressore.	min	0...250	■	0	■
FOn	Tempo di ON ventole per duty cycle giorno. Utilizzo delle ventole con modalità duty cycle; valido quando la modalità DutyCycle è attiva (vedi FCO).	min	0...250	1	1	1
FOF	Tempo di OFF ventole per duty cycle giorno. Utilizzo delle ventole con modalità duty cycle; valido quando la modalità DutyCycle è attiva (vedi FCO).	min	0...250	0	0	0

NOTE: - per l'elenco completo dei parametri, fare riferimento al manuale utente disponibile sul sito Eliwell.
 - i parametri con sfondo grigio (■) non sono nelle applicazioni e non cambiano se viene caricata un'altra applicazione AP1...AP8.

PAR.	DESCRIZIONE	U.M.	RANGE	AP1	AP2	AP3...AP8
Fnn	Tempo di ON ventole per duty cycle notte. Utilizzo delle ventole con modalità duty cycle; valido quando la modalità Dutycycle è attiva (vedi FCO).	min	0...250	1	1	1
FnF	Tempo di OFF ventole per duty cycle notte. Utilizzo delle ventole con modalità duty cycle; valido quando la modalità Dutycycle è attiva (vedi FCO).	min	0...250	0	0	0
ALLARMI (AL)						
rA1	Imposta la sonda 1 utilizzata per gli allarmi di temperatura: diS (0) = disabilitata; Pb1 (1) = sonda Pb1; Pb2 (2) = sonda Pb2; Pb3 (3) = sonda Pb3; Pb4 (4) = sonda Pb4; Pb5 (5) = sonda Pb5; Pbi (6) = sonda virtuale; Pfi (7) = sonda virtuale filtrata (vedi H74).	num	diS, Pb1...Pb5, Pbi, Pfi	Pb1	Pb1	Pb1
Att	Definisce se i parametri HA1 e LA1 verranno usati come valore assoluto di temperatura o come differenziale rispetto al Setpoint. AbS (0) = valore assoluto; rEL (1) = valore relativo. NOTA: Se in presenza di valori relativi (par. Att=1) il parametro HAL va impostato a valori positivi, mentre il parametro LAL va impostato a valori negativi (-LAL).	flag	AbS/rEL	rEL	rEL	rEL
AFd	Differenziale di intervento degli allarmi.	°C/°F	0,1...25,0	2,0	2,0	2,0
HA1	Allarme di massima sonda 1 (solo se rA1 ≠ dis). Valore di temperatura (funzione di Att) il cui superamento verso l'alto determinerà l'attivazione della segnalazione d'allarme.	°C/°F	LA1...302	10,0	10,0	10,0
LA1	Allarme di minima sonda 1 (solo se rA1 ≠ dis). Valore di temperatura (funzione di Att) il cui superamento verso il basso determinerà l'attivazione della segnalazione d'allarme.	°C/°F	-58,0...HA1	-10,0	-10,0	-10,0
PAO	Tempo di esclusione allarmi all'accensione del dispositivo, dopo mancanza di tensione. Riferito solo agli allarmi di alta e bassa temperatura.	ore	0...10	3	3	3
dAO	Tempo di esclusione allarmi di temperatura dopo lo sbrinamento.	min	0...250	30	30	30
OAO	Ritardo segnalazione allarme (di alta e bassa temperatura) dopo la disattivazione dell'ingresso digitale (chiusura porta).	ore	0...10	■	0	■
tdO	Tempo di ritardo attivazione allarme porta aperta.	min	0...250	■	35	■
tA1	Tempo ritardo segnalazione allarme temperatura. Riferito solo agli allarmi di alta e bassa temperatura LA1 e HA1.	min	0...250	30	30	30
dAt	Segnalazione allarme per sbrinamento terminato per time-out. no (0) = non attiva l'allarme; yES (1) = attiva l'allarme.	flag	no/yES	no	no	no
LUCI & INGRESSI DIGITALI (Lit)						
dSd	Abilitazione relè luce da micro porta. no (0) = porta aperta non accende la luce; yES (1) = porta aperta accende la luce (se era spenta)	flag	no/yES	■	yES	■
dLt	Ritardo disattivazione (spegnimento) relè luce (luce cella). La luce cella rimane accesa per dLt minuti alla chiusura della porta se il parametro dSd ne prevedeva l'accensione.	min	0...250	■	0	■
OFL	Il tasto luce disattiva sempre il relè luce. Abilita lo spegnimento mediante tasto della luce cella anche se è attivo il ritardo dopo la chiusura impostato da dLt . no (0)= no; yES (1)= si.	flag	no/yES	■	no	■
dOd	Abilitazione spegnimento utenze su attivazione del micro-porta. 0 = disabilitato; 1 = disabilita ventole; 2 = disabilita compressore; 3 = disabilita ventole e compressore.	num	0...3	■	3	■
dOA	Comportamento forzato da ingresso digitale (se PEA ≠ 0): 0 = attivazione compressore; 1 = attivazione ventole; 2 = attivazione compressore e ventole; 3 = disattivazione compressore; 4 = disattivazione ventole; 5 = disattivazione compressore e ventole.	num	0...5	■	2	■
PEA	Selezione dell'ingresso digitale con funzione di blocco/sblocco delle risorse. 0 = funzione disattivata; 1 = associata a microporta; 2 = associata a allarme esterno; 3 = associata a allarme esterno e microporta.	num	0...3	■	1	■
dCO	Ritardo attivazione/spegnimento del compressore dal consenso (attivazione DI).	min	0...250	■	15	■
dFO	Ritardo attivazione/spegnimento delle ventole dal consenso (attivazione DI).	min	0...250	■	15	■
LINK² (Lin)						
L00	Seleziona quale sonda condividere: diS (0) = disabilitata; Pb1 (1) = sonda Pb1; Pb2 (2) = sonda Pb2; Pb3 (3) = sonda Pb3; Pb4 (4) = sonda Pb4; Pb5 (5) = sonda Pb5; Pbi (6) = sonda virtuale; Pfi (7) = sonda virtuale filtrata (H74).	num	diS, Pb1...Pb5, Pbi, Pfi	diS	■	diS
L01	Condivide con la rete LAN il valore visualizzato. 0 = impedisce l'invio del valore visualizzato dal dispositivo alla rete LINK ² ; 1 = abilita l'invio del valore visualizzato dal dispositivo alla rete LINK ² ; 2 = visualizza il valore del dispositivo che ha impostato L01 = 1.	num	0/1/2	0	■	0
L02	Invia alla rete LINK ² il valore del Setpoint quando viene modificato. no (0) = no; yES (1) = si.	flag	no/yES	no	■	no
L03	Abilita l'invio alla rete LINK ² della richiesta di sbrinamento. 0 = invio richiesta di sbrinamento disabilitata; 1 = dispositivo master per invio richiesta sbrinamento simultaneo; 2 = dispositivo master per invio richiesta sbrinamento sequenziale.	flag	0/1/2	0	■	0
L04	Modalità di fine sbrinamento. ind (0) = indipendente; dEP (1) = dipendente. Attende che tutti i controllori abbiano terminato lo sbrinamento.	flag	ind/dEP	ind	■	ind
L05	Abilita la sincronizzazione del comando Stand-by. no (0) = no; yES (1) = si.	flag	no/yES	no	■	no

NOTE: - per l'elenco completo dei parametri, fare riferimento al manuale utente disponibile sul sito Eliwell.
 - i parametri con sfondo grigio (■) non sono nelle applicazioni e non cambiano se viene caricata un'altra applicazione AP1...AP8.

PAR.	DESCRIZIONE	U.M.	RANGE	AP1	AP2	AP3...AP8
L06	Abilita la sincronizzazione del comando luci. no (0) = no; yES (1) = si.	flag	no/yES	no	■	no
L07	Abilita la sincronizzazione del comando Energy Saving. no (0) = no; yES (1) = si.	flag	no/yES	no	■	no
L08	Abilita la sincronizzazione del comando AUX. no (0) = no; yES (1) = si.	flag	no/yES	no	■	no
L09	Abilita la condivisione della sonda di saturazione (pressione). no (0)= no; yES (1)= si.	flag	no/yES	no	■	no
L10	Imposta il timeout di attesa di fine degli sbrinamenti dipendenti.	min	0...250	30	■	30
L11	Imposta il numero di dispositivi connessi in LAN per allarmi. Se il numero di dispositivi rilevati è diverso da quello impostato, si attiverà un allarme Link ² (ELi) a riarmo automatico una volta che il numero di dispositivi combacia col parametro.	num	0..8	0	■	0
L12	Imposta come condividere gli allarmi. 0 = funzione disabilitata; 1 = master dei relè allarme; 2 = slave dei relè allarme.	num	0/1/2	0	■	0
RISPARMIO ENERGETICO (EnS)						
ESst	Tipologia di evento attivata da RTC: 0 = disabilitato; 1 = Risparmio Energetico; 2 = Risparmio Energetico + Luce spenta; 3 = Risparmio Energetico + Luce spenta + uscita AUX attiva; 4 = Dispositivo spento.	num	0 ... 4	0	■	0
ESF	Attivazione modalità night (risparmio energetico) per le ventole. no (0) = disabilitata; yES (1) = abilitata se è attiva la modalità risparmio energetico (ESst ≠ 0 e ESst ≠ 4).	flag	no/yES	no	no	no
Cdt	Tempo chiusura porta per attivazione setpoint dinamico.	min*10	0...255	■	0	■
ESO	Tempo cumulativo apertura porta per disabilitazione setpoint dinamico.	num	0...10	■	0	■
OS1	Offset sul setpoint 1 (SP1) in modalità risparmio energetico.	°C/°F	-50,0...50,0	3,0	3,0	3,0
Od1	Offset risparmio energetico banchi finestrati 1.	°C/°F	-50,0...50,0	■	0,0	■
dn1	Differenziale sul setpoint 1 (SP1) in modalità risparmio energetico.	°C/°F	-58,0...302	4,0	4,0	4,0
EdH	Ora di inizio Risparmio Energetico feriale (solo se H68 = yES). 0...23 = ora di inizio; 24 = disabilitato.	ore	0...24	24	■	24
Edn	Minuti di inizio Risparmio Energetico feriale (solo se H68 = yES).	min	0...59	0	■	0
Edd	Durata del Risparmio Energetico feriale (solo se H68 = yES).	ore	1...72	10	■	10
EFH	Ora di inizio Risparmio Energetico festivo (solo se H68 = yES). 0...23 = ora di inizio; 24 = disabilitato.	ore	0...24	24	■	24
EFn	Minuti di inizio Risparmio Energetico festivo (solo se H68 = yES).	min	0...59	0	■	0
EFd	Durata del Risparmio Energetico festivo (solo se H68 = yES).	ore	1...72	24	■	24
RESISTENZE ANTICONDENSA - FRAME HEATERS (FrH)						
FH	Selezione quale sonda verrà utilizzata dalle resistenze anticondensa: diS (0) = disabilitata; dc (1) = duty cycle; Pb1 (2) = sonda Pb1; Pb2 (3) = sonda Pb2; Pb3 (4) = sonda Pb3; Pb4 (5) = sonda Pb4; Pb5 (6) = sonda Pb5; Pbi (7) = sonda virtuale; Pfi (8) = sonda virtuale filtrata (H74).	num	diS, dc, Pb1...Pb5, Pbi, Pfi	diS	■	diS
FHt	Durata periodo di funzionamento delle resistenze anticondensa, usata solo in caso di utilizzo dell'uscita OC con relè SSR.	sec*10	1...250	30	■	30
FH0	Impostazione del Setpoint relativo alle resistenze anticondensa (solo se FH#dis e FH#dc).	°C/°F	-58,0...302	0,0	■	0,0
FH1	Impostazione dell'Offset relativo alle resistenze anticondensa (solo se FH#dis e FH#dc).	°C/°F	0,0...25,0	0,0	■	0,0
FH2	Impostazione della Banda relativa alle resistenze anticondensa (solo se FH#dis e FH#dc).	°C/°F	-58,0...302	0,0	■	0,0
FH3	Impostazione della Percentuale minima delle resistenze anticondensa (solo se FH#dis e FH#dc).	%	0...100	0	■	0
FH4	Impostazione della Percentuale massima del Duty Cycle giorno.	%	0...100	75	■	75
FH5	Impostazione della Percentuale massima del Duty Cycle notte.	%	0...100	50	■	50
FH6	Impostazione della Percentuale durante lo sbrinamento.	%	0...100	100	■	100
COMUNICAZIONE (Add)						
Adr	Indirizzo dispositivo con protocollo Modbus.	num	1...250	1 (DEFAULT)	■	1 (DEFAULT)
bAU	Selezione baudrate. 96 (0) = 9600; 192 (1) = 19200; 384 (2) = 38400.	num	96/192/384	96 (DEFAULT)	■	96 (DEFAULT)
Pty	Imposta il bit di parità Modbus. n (0) = nessuno; E (1) = pari; o (2) = dispari.	num	n/E/o	E (DEFAULT)	■	E (DEFAULT)
DISPLAY (diS)						
LOC	Blocco modifica Setpoint. Rimane comunque la possibilità di entrare in programmazione parametri e modificarli, compreso lo stato di questo parametro per consentire lo sblocco della tastiera. no (0) = no; yES (1) = si.	flag	no/yES	no	no	no
ndt	Visualizzazione con punto decimale. no (0) = no (solo interi); yES (1) = si (visualizzazione con decimale).	flag	no/yES	yES	yES	yES
CA1	Calibrazione sonda Pb1 (solo se H41=Pro). Valore di temperatura positivo o negativo che viene sommato a quello letto da Pb1 . Tale somma viene utilizzata sia per la temperatura visualizzata che per la regolazione.	°C/°F	-30,0...30,0	0,0	0,0	0,0
CA2	Calibrazione sonda Pb2 (solo se H42=Pro). Valore di temperatura positivo o negativo che viene sommato a quello letto da Pb2 . Tale somma viene utilizzata sia per la temperatura visualizzata che per la regolazione.	°C/°F	-30,0...30,0	0,0	0,0	0,0
CA3	Calibrazione sonda Pb3 (solo se H43=Pro). Valore di temperatura positivo o negativo che viene sommato a quello letto da Pb3 . Tale somma viene utilizzata sia per la temperatura visualizzata che per la regolazione.	°C/°F	-30,0...30,0	0,0	0,0	0,0

NOTE: - per l'elenco completo dei parametri, fare riferimento al manuale utente disponibile sul sito Eliwell.
 - i parametri con sfondo grigio (■) non sono nelle applicazioni e non cambiano se viene caricata un'altra applicazione AP1...AP8.

PAR.	DESCRIZIONE	U.M.	RANGE	AP1	AP2	AP3...AP8
CA4	Calibrazione sonda Pb4 (solo se H44=Pro). Valore di temperatura positivo o negativo che viene sommato a quello letto da Pb4 . Tale somma viene utilizzata sia per la temperatura visualizzata che per la regolazione.	°C/°F	-30,0...30,0	0,0	0,0	0,0
CA5	Calibrazione sonda Pb5 (solo se H45=Pro). Valore di temperatura positivo o negativo che viene sommato a quello letto da Pb5 . Tale somma viene utilizzata sia per la temperatura visualizzata che per la regolazione.	°C/°F	-30,0...30,0	0,0	0,0	0,0
CA6	Calibrazione trasduttore di pressione (Pb6 - 4...20 mA) (solo se H46=Pro). Valore di temperatura positivo o negativo che viene sommato a quello letto da Pb6 . Tale somma viene utilizzata sia per la temperatura visualizzata che per la regolazione.	Bar	-30,0...30,0	0,0	0,0	0,0
CA7	Calibrazione trasduttore raziometrico (Pb7) (solo se H47=Pro). Valore di temperatura positivo o negativo che viene sommato a quello letto da Pb7 . Tale somma viene utilizzata sia per la temperatura visualizzata che per la regolazione.	Bar	-30,0...30,0	0,0	0,0	0,0
LdL	Valore minimo visualizzabile dal dispositivo.	°C/°F	-58,0...HdL	-40,0	-40,0	-40,0
HdL	Valore massimo visualizzabile dal dispositivo.	°C/°F	LdL...302	100,0	100,0	100,0
ddl	Modalità di visualizzazione durante lo sbrinamento. 0 = visualizza la temperatura letta dalla sonda o il setpoint (vedi ddd). 1 = blocca la lettura sul valore di temperatura letto dalla sonda all'entrata in sbrinamento e fino al successivo raggiungimento di SET (oppure fino allo scadere di Ldd). 2 = visualizza la label dEF durante lo sbrinamento e fino al raggiungimento di SET (oppure fino allo scadere di Ldd).	num	0/1/2	0	0	0
Ldd	Valore di time-out per sblocco display.	min	0...250	0	0	0
ddd	Selezione del tipo di valore da visualizzare sul display. SP1(0) = setpoint SP1; Pb1(1) = sonda Pb1; Pb2(2) = sonda Pb2; Pb3(3) = sonda Pb3; Pb4(4) = sonda Pb4; Pb5(5) = sonda Pb5; Pbi(6) = sonda virtuale; LP(7) = sonda remota; Pfi(8) = sonda virtuale filtrata (vedi H74).	num	SP1, Pb1...Pb5, Pbi, LP, Pfi	Pb1	Pb1	Pb1
HACCP (HCP)						
rPH	Seleziona quale sonda verrà utilizzata dagli allarmi HACCP. diS(0) = disabilitata; Pb1(1) = sonda Pb1; Pb2(2) = sonda Pb2; Pb3(3) = sonda Pb3; Pb4(4) = sonda Pb4; Pb5(5) = sonda Pb5.	num	diS, Pb1...Pb5	diS	diS	diS
CONFIGURAZIONE (CnF) ➡ Se uno o più parametri vengono cambiati, il dispositivo DEVE essere spento e riacceso.						
trA	Seleziona il modello di sonda raziometrica usato: USE(0) = Sonda Generica Impostabile dal cliente; rA1(1) = EWPA010 R 0/5V 0/10BAR FEMALE; rA2(2) = EWPA030 R 0/5V 0/30BAR FEMALE; rA3(3) = EWPA050 R 0/5V 0/50BAR FEMALE; rA4(4) = AKS 32R -1 ...6 BAR; rA5(5) = AKS 32R -1 ...12 BAR; rA6(6) = AKS 32R -1 ... 20 BAR; rA7(7) = AKS 32R -1 ... 34 BAR; rA8(8) = riservato. NOTA: I limiti superiore e inferiore delle sonde rA1...rA8 sono preimpostati (e non modificabili). Per selezionare USE consultare il manuale su www.eliwell.com .	num	USE, rA1...rA8	USE (DEFAULT)		
H00	Selezione tipo di sonda usata (Pb1 ... Pb5). ntc(0) = NTC; Ptc(1) = PTC; Pt1(2) = Pt1000.	num	ntc/Ptc/Pt1	ntc	ntc	ntc
H08	Modalità di funzionamento in Stand-by. 0 = display spento; i regolatori sono attivi e il dispositivo segnala eventuali allarmi riattivando il display; 1 = display spento; i regolatori e gli allarmi sono bloccati; 2 = il display visualizza la label "OFF"; i regolatori e gli allarmi sono bloccati.	num	0/1/2	2	2	2
H16	Configurazione ingresso digitale 6/polarità (Pb6) (solo se H46=di). 0 = disabilitato; ± 1 = inizio sbrinamento; ± 2 = fine sbrinamento; ± 3 = luce; ± 4 = risparmio energetico; ± 5 = AUX; ± 6 = allarme esterno; ± 7 = stand-by; ± 8 = micro porta; ± 9 = allarme preriscaldamento; ± 10 = riservato; ± 11 = riservato; ± 12 = riservato; ± 13 = abbattimento (deep cooling); ± 14 = forza EEV in OFF; ± 15 = forza le Ventole in ON; ± 16 = forza OF1 (offset remoto); ± 17 = ingresso generico. NOTA: - Il segno "+" indica che l'ingresso è attivo per contatto chiuso - Il segno "-" indica che l'ingresso è attivo per contatto aperto	num	-17...17	0	0	0
H18	Configurazione ingresso digitale 8/polarità (DI). Analogo a H16 .	num	-17...17	0	-8	0
d16	Ritardo attivazione ingresso digitale 6 (Pb6) (solo se H46=di).	min	0...255	0	0	0
d18	Ritardo attivazione ingresso digitale 8 (DI).	min	0...255	0	0	0

NOTE: - per l'elenco completo dei parametri, fare riferimento al manuale utente disponibile sul sito Eliwell.
 - i parametri con sfondo grigio (■) non sono nelle applicazioni e non cambiano se viene caricata un'altra applicazione AP1...AP8.

PAR.	DESCRIZIONE	U.M.	RANGE	AP1	AP2	AP3...AP8
H24	Configurazione uscita digitale 4 (OUT 4). 0 = disabilitata; 2 = sbrinamento 1/valvola a gas caldo; 4 = allarme; 6 = stand-by; 8 = resistenze anticondensa; 10 = riservato; 12 = regolatore AUX; 14 = allarme con polarità invertita; 16 = riscaldatore raccogli condensa; 1 = compressore 1; 3 = ventole evaporatore; 5 = AUX; 7 = luce; 9 = sbrinamento 2; 11 = ventole condensatore; 13 = gas caldo valvola aspirazione evaporatore; 15 = riscaldatore del carter; 17 = valvola del liquido;	num	0...17	7	7	7
H27	Configurazione uscita digitale 7 (Open collector). Analogo a H24.	num	0...17	8	■	8
H33	Configurazione tasto ESC. 0 = disabilitato; 2 = Set ridotto; 4 = risparmio energetico; 6 = stand-by; 8 = inizio/fine sbrinamento; 1 = sbrinamento; 3 = luce; 5 = AUX; 7 = abbattimento (deep cooling); 9 = funzione di pulizia banco (cleaning);	num	0...9	6	6	6
H60	Visualizzazione applicazione selezionata. 0 = disabilitato; 3 = Vettore 3 (AP3); 6 = Vettore 6 (AP6); 1 = Vettore 1 (AP1); 4 = Vettore 4 (AP4); 7 = Vettore 7 (AP7); 2 = Vettore 2 (AP2); 5 = Vettore 5 (AP5); 8 = Vettore 8 (AP8).	num	0...8	1 (DEFAULT)		

VALVOLA ESPANSIONE ELETTRONICA (EE0)

rSP	Seleziona la sonda di saturazione utilizzata: diS (0) = disabilitata; Pb6 (1) = trasduttore di pressione 4...20 mA; Pb7 (2) = trasduttore raziometrico; LSP (3) = sonda remota (condivisa all'interno della rete locale - Link ²); rP (4) = sonda remota (dal supervisore).	num	dis, Pb6, Pb7, LSP, rP	Pb6 (DEFAULT)		
rSS	Seleziona la sonda di surriscaldamento utilizzata: diS (0) = disabilitata; Pb3 (3) = sonda Pb3; Pb1 (1) = sonda Pb1; Pb4 (4) = sonda Pb4; Pb2 (2) = sonda Pb2; Pb5 (5) = sonda Pb5.	num	diS, Pb1...Pb5	Pb5 (DEFAULT)		
EPd	Modalità visualizzazione valore saturazione: t (0) = temperatura; P (1) = pressione.	flag	t/P	t (DEFAULT)		
Ert	Seleziona il tipo di refrigerante utilizzato: 404 (0) = R404A; 410 (2) = R410A; 744 (4) = R744 (CO2); 717 (6) = R717 (NH3); PAr (8) = refrigerante parametrizzabile; 448 (10) = R448A; 450 (12) = R450; r22 (1) = R22; 134 (3) = R134a; 507 (5) = R507A; 290 (7) = riservato; 407 (9) = R407A; 449 (11) = R449A; 513 (13) = R513A. NOTA: per customizzazioni sul tipo di refrigerante utilizzato, contattare Eliwell.	num	404, r22, 410,134, 744, 507, 717, 290, PAr, 407, 448, 449, 450, 513	410 (DEFAULT)		
U06	Percentuale minima apertura utile valvola.	%	0...100	100 (DEFAULT)		
OLt	Soglia di surriscaldamento minimo.	°C/°F	2,0...999,9	5,0 (DEFAULT)		

COPY CARD (FPr)

UL	Upload. Trasferimento parametri di programmazione da dispositivo a CopyCard.	/	/	/ (DEFAULT)		
dL	Download. Trasferimento parametri di programmazione da CopyCard a dispositivo.	/	/	/ (DEFAULT)		
Fr	Formattazione. Cancellazione dei dati presenti nella Copy Card. NOTA: L'uso del parametro "Fr" comporta la perdita definitiva dei dati inseriti. L'operazione non è annullabile.	/	/	/ (DEFAULT)		

FUNZIONI (FnC)

Di seguito le funzioni disponibili:

Funzione	Label funzione ATTIVA	Label funzione NON ATTIVA	Segnalazione
Sbrinamento manuale	dEF + icona lampeggiante	dEF	Icona Sbrinamento lampeggiante
AUX (ON=attiva; OFF=non attiva)	Aon	AoF	Icona AUX ON
Stand-by	OFF	OFF	LED Stand-by ON (solo KDWPlus)

NOTE: • Per modificare lo stato di una data funzione premere il tasto "set"
 • In caso di spegnimento del dispositivo le label delle funzioni torneranno allo stato di default (inattive).

DECLINAZIONE DI RESPONSABILITÀ

La presente pubblicazione è di esclusiva proprietà di ELIWELL CONTROLS SRL la quale pone il divieto assoluto di riproduzione e divulgazione se non espressamente autorizzata da ELIWELL CONTROLS SRL stessa. Ogni cura è stata posta nella realizzazione di questo documento; tuttavia ELIWELL CONTROLS SRL non può assumersi alcuna responsabilità derivante dall'utilizzo della stessa. Lo stesso dicasi per ogni persona o società coinvolta nella creazione e stesura di questo manuale. ELIWELL CONTROLS SRL si riserva il diritto di apportare qualsiasi modifica, estetico o funzionale, senza preavviso alcuno ed in qualsiasi momento.

RESPONSABILITÀ E RISCHI RESIDUI

ELIWELL CONTROLS SRL non risponde di eventuali danni derivanti da:

- installazione/uso diversi da quelli previsti e, in particolare, difformi dalle prescrizioni di sicurezza previste dalle normative e/o date con il presente
- uso su quadri che non garantiscono adeguata protezione contro la scossa elettrica, l'acqua e la polvere nelle condizioni di montaggio realizzate
- uso su quadri che permettono l'accesso a parti pericolose senza l'uso di utensili
- manomissione e/o alterazione del prodotto
- installazione/uso in quadri non conformi alle norme e disposizioni di legge vigenti.

CONDIZIONI D'USO

Uso consentito

Ai fini della sicurezza il dispositivo dovrà essere installato e usato secondo le istruzioni fornite ed in particolare, in condizioni normali, non dovranno essere accessibili parti a tensione pericolosa.

Il dispositivo dovrà essere adeguatamente protetto dall'acqua e dalla polvere in ordine all'applicazione e dovrà altresì essere accessibile solo con l'uso di un utensile (ad eccezione del frontale). Il dispositivo è idoneo ad essere incorporato in un apparecchio per uso domestico e/o simile nell'ambito della refrigerazione ed è stato verificato in relazione agli aspetti riguardanti la sicurezza sulla base delle norme armonizzate europee di riferimento.

Uso non consentito

Qualsiasi uso diverso da quello consentito è di fatto vietato. Si fa presente che i contatti relè forniti sono di tipo funzionale e sono soggetti a guasto: eventuali dispositivi di protezione previsti dalla normativa di prodotto o suggeriti dal buon senso in ordine a palesi esigenze di sicurezza devono essere realizzati al di fuori del dispositivo.

SMALTIMENTO

L'apparecchiatura (o il prodotto) deve essere oggetto di raccolta separata in conformità alle vigenti normative locali in materia di smaltimento.

DATA DI PRODUZIONE

La data di produzione è riportata sull'etichetta del dispositivo indicando settimana di produzione e anno (WW-YY).

Eliwell Controls s.r.l.

Via dell'Industria, 15 • Z.I. Paludi

32016 Alpago (BL) - ITALY

T: +39 0437 986 111

F: +39 0437 989 066

www.eliwell.it

Supporto Tecnico Clienti:

T: +39 0437 986 300

E: Techsuppeliwell@schneider-electric.com

Vendite:

T: +39 0437 986 100 (Italia)

T: +39 0437 986 200 (altre nazioni)

E: saleseliwell@schneider-electric.com

MADE IN ITALY



ISO 9001

